

# BIG TRACTOR PARTS

*Parts for Steiger and Versatile Tractors*

## **2019 Catalog**



## Contents

Spicer Transmission	3-5
Fuji Powershift Transmission	6/7
Transfer Case	8-10
Dana Axles	11
Raba Axle Tools	12
Raba Axles	13-23
S-34/40 Axles (Including Eaton Versatile Diffs)	24/25
U-Joints Drive Shaft Hanger Assemblies	26
Brake Components	27/28
Hydraulic Components	29
Pumps Pump Drives	30
Tractor Cooling     **new items**	31
Tractor Electronics	32
Tractor Controls	33
Center Hinge     **new items**	34-42
Rims	43
Versatile Hinge Components	44



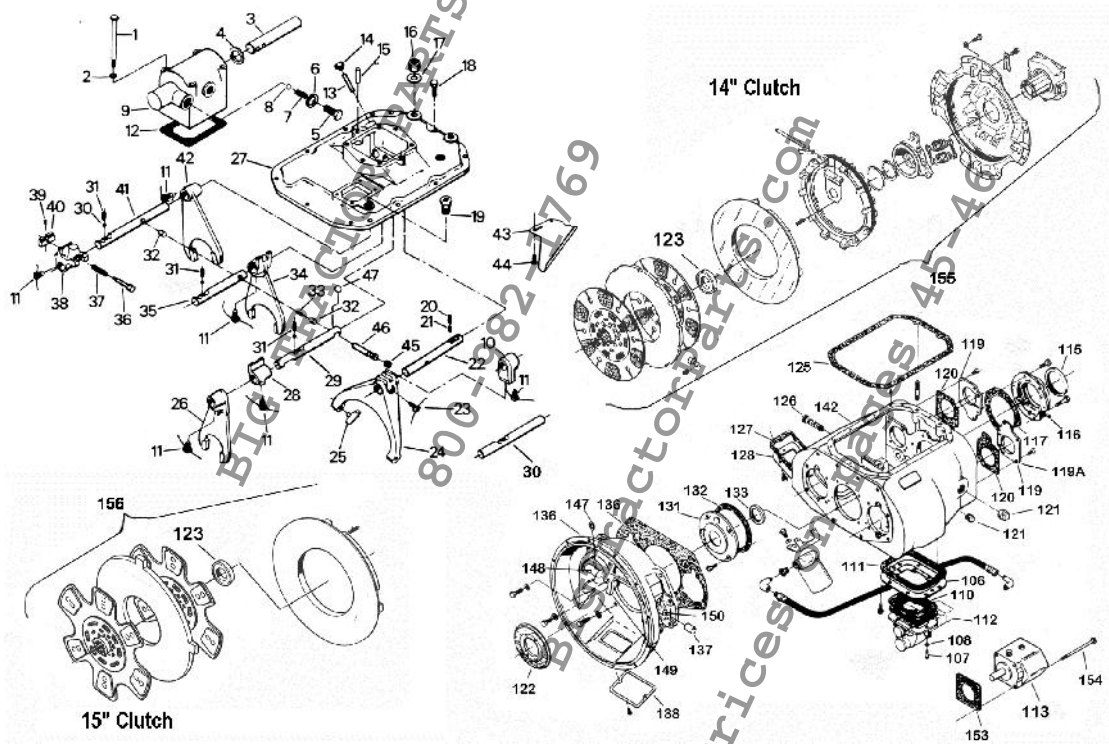
**BIG TRACTOR PARTS INC.**



# Spicer Transmission, Cover

Series I-IV & IH 4568, 45/4786:

Note: \*15.5" clutch is heavier than the original. It is interchangeable with the std clutch on all models except the early 3406 models indicated by the letter "A" following the model designation 3406.

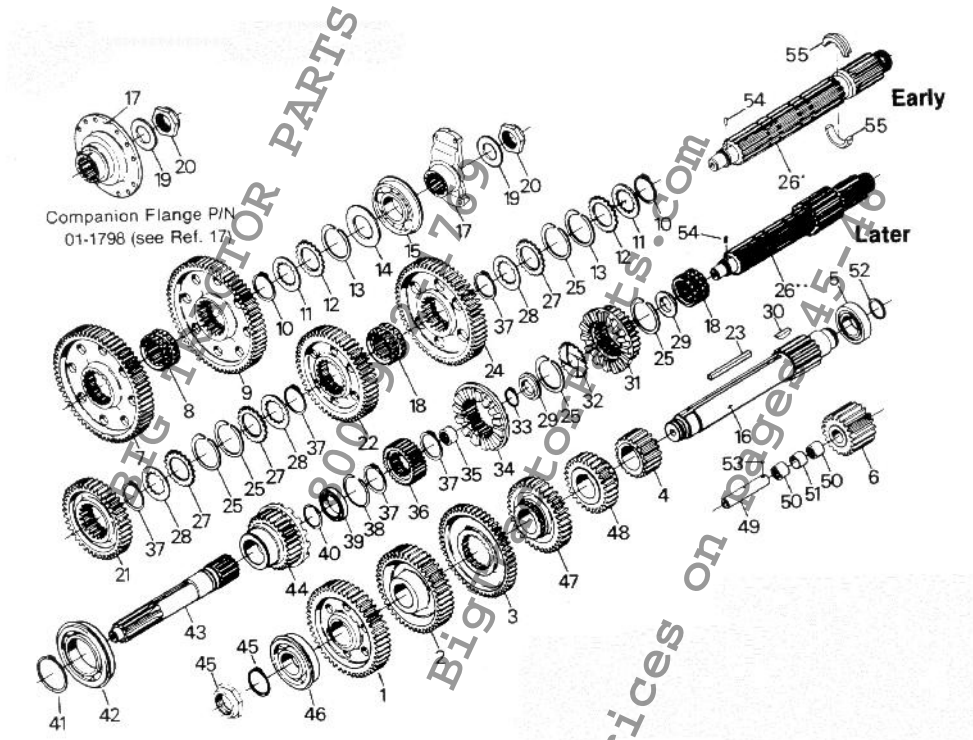


View	Part	Description
	24-218B	Boot, Shift Lever
	86014443B	Clutch Kit, 14" Versatile (1-3/4, )
	86611771B	Clutch Kit, 15.5" Versatile (1-3/4)
	54-299B	Clutch Slave Cylinder
	V66180KIT	Kit, 1150 Versatile Clutch
	312475-16X	Kit, Gasket
	24-230B	Mount, Rubber Isolator
20	18-72-2	Spring, Shift Rod Stop Pin
21	97-438-5	Pin, Stop (2sp Rod)
22	97-67-5	Rod, Shift Splitter
25	97-486-1	Shoe, Shifter Fork
26	97-66-11	Fork, Shift (7/8, 9/10)
29	97-67-132-2X	Rod, Shift (7/8, 9/10, Neutral Start)
30	97-67-87-2X	Rod, Shift (7/8, 9/10)
31	97-72-11	Spring, Shift Rod Detent
34	97-66-24	Fork, Shift (3/4, 5/6)
35	97-67-86-3X	Rod, Shift (3/4, 5/6)
41	97-67-82-2X	Rod, Shift (1/2/Rev.)
42	97-66-48	Fork, Shift (1/2/Rev)
112	90-7533B	Pump Asm (Btm Mt)
113	313292-1X	Pump Asm (Rr Mt)
115	97-463-33	Seal, Rear (output)
119	97-22-10	Flange (rear mt pump)
122	1968227C1B	Clutch Brake (13-178, 1.75")
122	797700C1B	Clutch Brake (13-194, 2")
123	69983C91B	Bearing, Pilot (14"/15" clutches)
126	97-39-1	Magnetic Plug
131	97-19-1-1X	Cap, Front Bearing
133	97-463-32	Seal, Front (input)
136	97-518-15-2	Clutch Hsg. (3406 Cat engine)
136	312795X	Housing, Clutch (all except 3406, & IH)
137	128C-20	Bushing (upper holes)
148	106C-1185	Shaft, Short (5.25")
149	105C-137	Yoke, Release
150	106C-939	Shaft, Long (10", Series I / II)
150	106C-1046	Shaft, Long (9", Series III / IV)
155	1997780C2RB	Clutch Kit (14", including 122 & 123)
156	1997782C2RLDB	Clutch Kit (15.5", incl 122 & 123, early 3406)*
156	1997782C2RB	Clutch Kit (15.5", including 122 & 123, Heavy Duty)*

# Spicer Transmission, Gears and Shafts

Series I-IV & IH 4568, 45/4786:

Note: \*Used on early model tractors (prior to July 76). \*\*Used on later model tractors (after July 76)

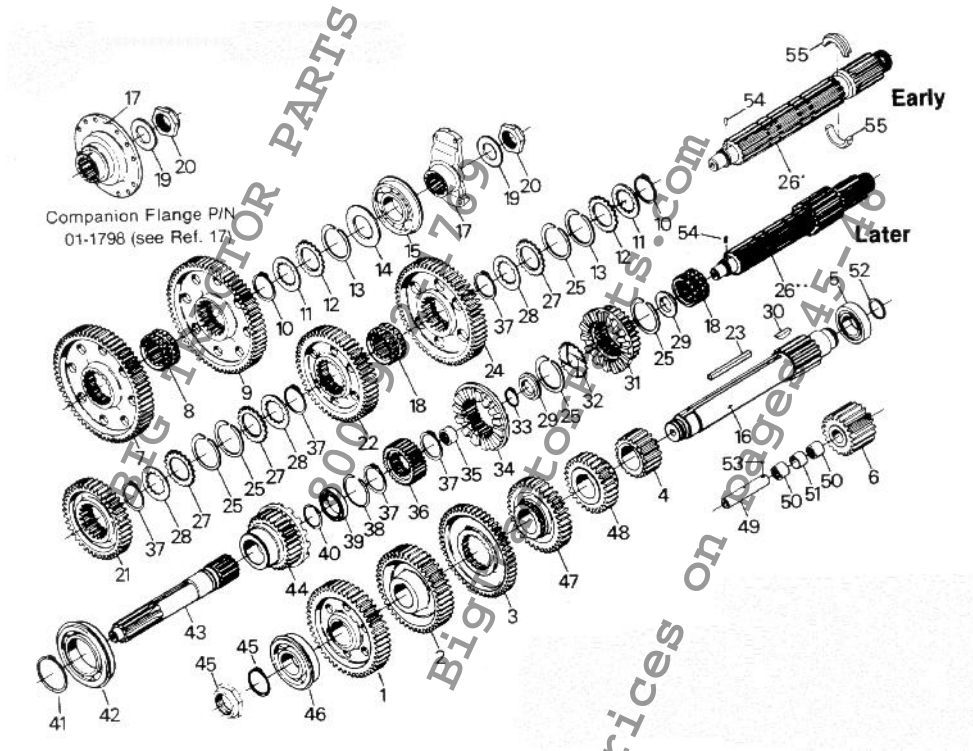


View	Part	Description
	90-2250RM	Asm, Reman 1010-2A Transmission (1-3/4")
	90-2251RM	Asm, Reman 1010-2A Transmission (2")
	90-4396RM	Asm, Reman 1010-3B Transmission (2")
	313432-43X	Kit, Bearing (bearings, gaskets, seals, and snap rings)
	313024-1X	Kit, Snap Ring
	313401-5X	Thrust Washer Kit (Early Ser. See item 26*)
	313401-6X	Thrust Washer Kit (Late Ser. See item 26**)
1	97-1-7	Gear, C/S Hi Splitter (3B)
1	97-1-5	Gear, C/S Lo Splitter (2A)
2	97-196-30	Gear, C/S Hi Splitter (2A)
2	97-196-35	Gear, C/S Lo Splitter (3B)
3	97-312-1	Gear, PTO Drive (w/Btm Mt P)
4	97-196-29	Gear, C/S (3/4)
5	550887	Bearing, C/S Rr
6	97-5-1	Gear, Reverse Idler
7	97-8-113	Gear, M/S (1/2)**
7	97-8-2	Gear, M/S (1/2){-USED-}*
8	97-465-21	Collar, M/S (1/2/Rev)*
8	97-465-20	Collar, M/S (1/2/Rev)**
9	97-8-111	Gear, M/S (Rev)
9	97-8-1	Gear, M/S (Rev, 399619C1){-USED-}*
11	330892	Thrust Washer (int spline, large, thick)**
11	330730	Thrust Washer (small, internal tooth)*
12	330891	Thrust Washer (ext spline, large, thick)**
12	330731	Thrust Washer (small, external tooth)*
14	330733	Thrust Washer (small, m/s)*
14	330893	Thrust Washer**
15	550923	Bearing, Output
16	97-30-61	Countershaft (LH w/Rr Mt P)
16	97-30-19-1X	Countershaft (ST280/325/325CP)
17	60-371B	Yoke, Transmission
18	97-465-21	Collar, M/S
19	330734	Washer

# Spicer Transmission, Gears and Shafts (pg2)

Series I-IV & IH 4568, 45/4786:

Note: \*Used on early model tractors (prior to July 76). \*\*Used on later model tractors (after July 76)

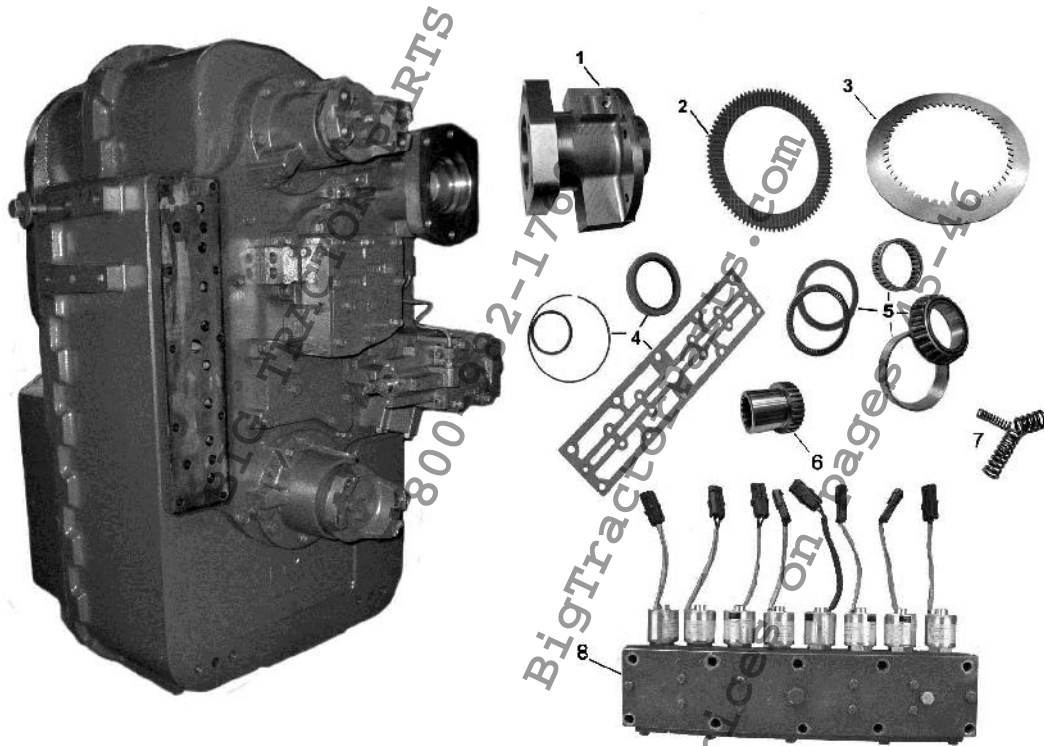


View	Part	Description
20	545047	Nut**
21	97-8-32	Gear, M/S (7/8)
22	97-8-30	Gear, M/S (5/6)
23	98-210-2	Key
24	97-8-124	Gear, M/S (3/4, Replaces 97-8-28)
26	97-362-35	Large Mainshaft**
26	97-362-18-1X	Small Mainshaft*
27	330731	Thrust Washer (12-1422B)*
27	330814	Thrust Washer (ext spline, small, thick)**
28	330730	Thrust Washer*
29	330752	Thrust Washer (brass)
30	500010-8	Key
31	97-8-34	Gear, M/S (9/10)
32	330751	Thrust Washer (grooved)
34	97-465-26	Collar, Splitter
35	550889	Bearing, Input Shaft Pocket
36	97-466-3	Gear, Clutch
39	550891	Bearing, Input Shaft (Rr)
42	550924	Bearing, Input
43	97-35-8	Input Shaft (1.75"; 3306 & 903 w/320)
43	97-35-9	Input Shaft (2"; 3406, 855, & 903 w/350)
44	97-35-6	Drive Gear (26T, 2A)
44	97-35-27	Drive Gear (36T, 3B)
46	550031	Bearing, C/S Fr
47	97-196-86	Gear, C/S (7/8, w/Rr Mt P =2, w/Btm Mt P =1)
47	97-196-27	Gear, LH C/S (7/8, only w/Btm Mt P =1)
48	97-196-25	Gear, C/S (5/6)
49	97-60-1	Shaft, Reverse Idler
50	550886	Bearing
54	330750	Pin
55	330737	Split Ring (m/s)

# Fuji Transmission

1000 Series Thru 9300 Series CIH Steigers

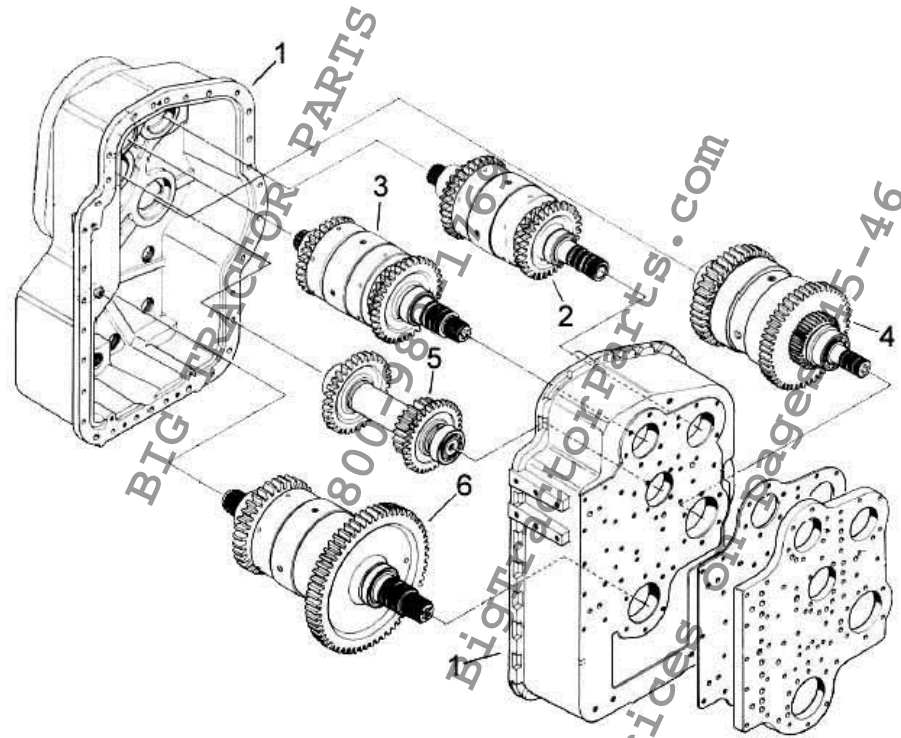
Note: Reman Transmissions come as pictured, with yokes, new lube pump, and master/control valves. The 8 valve hydraulic manifold is not included.



View	Part	Description
	90-7014RM	Asm, Reman PS Transmission (9x10-9x40)
	90-7015RM	Asm, Reman PS Transmission (9x50-9x60)
	90-7016RM	Asm, Reman PS Transmission (9x70-9x80)
	S9550S00FB	Hsg, PTO Control Valve
	S9870S01FB	Kit, PTO Gasket & Seal
	47-4172B	Mount, Rubber Isolator
	R49921B	Mount, Rubber Transmission
	S8000S00B	Pump, Lube (no adapter kit needed)
	S9530S00FB	Seal, PTO Control Valve
	S9520S00FB	Spool, PTO Control Valve
	S9620S00FB	Spool, PTO Control Valve Reducing
	33-1558B	Tube
1	33-1514B	Mount, 2 bolt Hydraulic Pump
2	33-1518B	Plate, 7" Clutch
2	33-1519B	Plate, 8" Clutch (427534A1)
2	33-1520B	Plate, 9" Clutch
3	S2080S00FB	Disc, 7" Clutch (thick)
3	S2090S00FB	Disc, 7" Clutch (thin)
3	S4070S00FB	Disc, 8" Clutch (thick)
3	S4110S00FB	Disc, 8" Clutch (thin)
3	S5120S00FB	Disc, 9" Clutch (thick)
3	S5130S00FB	Disc, 9" Clutch (thin)
4	33-1559B	Kit, Gasket-Seal Overhaul
4	33-1412B	Seal, Input (428159A1)
4	33-1428B	Seal, Output (427514A1)
5	90-7016BRGKIT	Kit, Trans Bearing & Thurst Washer Overhaul
6	33-1444B	Coupler, Int. Spline
6	33-1452B	Coupler, Int. Spline
6	33-1516B	Coupler, Lube Pump (13T)
6	33-1453B	Coupler, Lube Pump (14T)
6	33-1528B	Coupler, Lube Pump (w/ PTO)
7	S2640S00FB	Spring, 1st & 2nd Shaft
7	S5540S00FB	Spring, 4th Shaft (Fr)
7	S5550S00FB	Spring, 4th Shaft (Rr)
7	S4440S00FB	Spring, 5th Shaft
8	33-1525B	Asm, Range Selector Valve Bank (New Valves)
8	33-1525RM	Asm, Range Selector Valve Bank (Reman Valves)
8	33-1535B	Valve, New Electric Solenoid

# Fuji Transmission Gears & Shafts

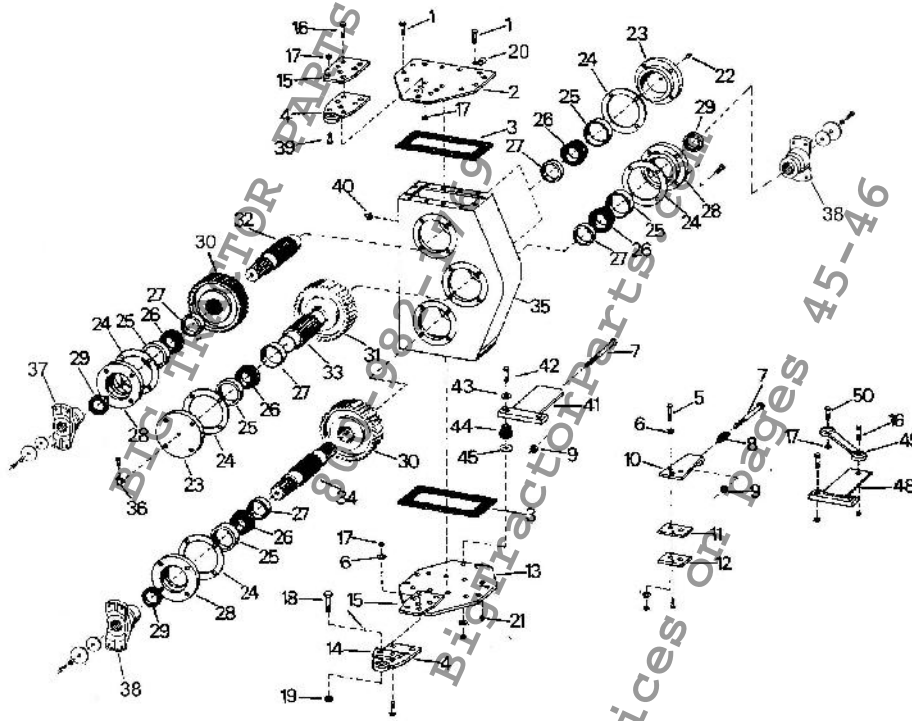
1000 Series Thru 9300 Series CIH Steigers



View	Part	Description
	S9850S00FB	Hub, PTO
	33-1526B	Piston, PTO
2	S2900S01FB	Asm, 7" Input Shaft
2	S2000S02FB	Asm, Loaded 7" Input Shaft
2	S2280S00FB	Gear, 29T
2	S2040S01FB	Gear, 32T
2	S2270S02FB	Gear, Helical (41T)
2	S2410S00FB	Holder, Seal Ring
2	S2850S00FB	Hub, 7" Clutch (5 disc)
2	33-1521B	Piston, 7"
3	S3900S01FB	Asm, 7" 2nd Shaft
3	S3000S02FB	Asm, Loaded 7" 2nd Shaft
3	S3040S01FB	Gear, 26T & 34T
3	S2280S00FB	Gear, 29T
3	S3030S01FB	Gear, 36T Helical Input
3	S2850S00FB	Hub, 7" Clutch (5 disc)
3	33-1521B	Piston, 7"
4	S5270S00FB	Gear, 21T
4	S5080S01FB	Gear, 37T
4	S5060S00FB	Gear, 43T
4	S5280S01FB	Gear, 46T
4	S5850S01GB	Hub, 9" Clutch
4	S5840S01GB	Hub, 9" Clutch (12 disc)
4	S5180S00FB	Piston, 9" (33-1522)
5	33-1434B	Gear, 22T
5	33-1415B	Gear, 32T
5	33-1435B	Gear, 35T
5	33-1436B	Shaft, Compound
6	S4210S00FB	Gear, 38T
6	S4170S00FB	Gear, 59T
6	S4160S00FB	Holder, Seal Ring
6	S4380S01GB	Hub, Clutch
6	S4100S01GB	Hub, Clutch (8 disk)
6	33-1523B	Piston, 8"

# Single Speed Swinging Transfer Case

Cougar I,II,III; Tiger I,II; Panther II,III, and IH 4568 & 45/4786

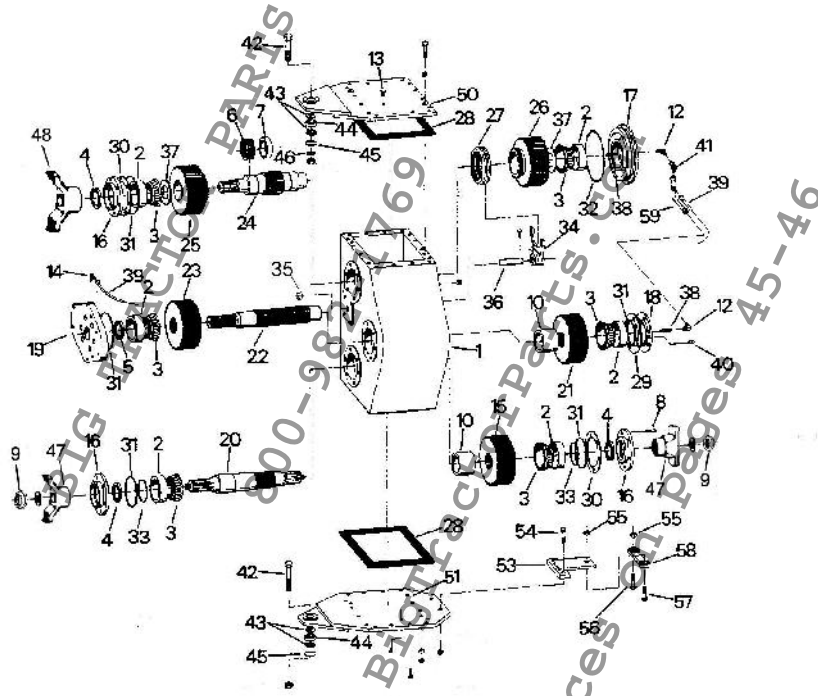


View	Part	Description
	35-1060RM	Asm, Reman Transfer Case (1spd)
25	14-151B	Bearing Cup
26	14-152B	Bearing Cone
27	52-135B	Spacer, Gear
29	14-153B	Seal
30	42-049B	Gear, Top & Bottom
31	42-071B	Gear, Center
32	52-133B	Shaft, Top
33	52-132B	Shaft, Center
34	52-134B	Shaft, Bottom
37	17-135B	Yoke, Input (01-2210)
38	01-2209B	Yoke, Output



# Two Speed Swinging Transfer Case

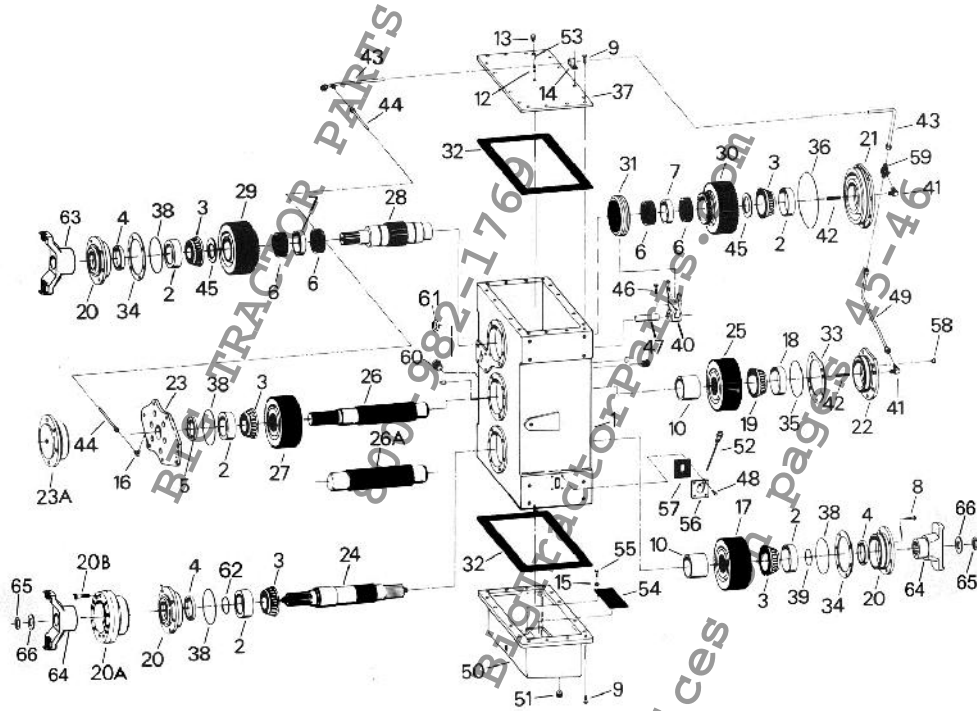
Series III: Bearcat, Cougar, and Panther (BSN 2000)



View	Part	Description
	TC0001RM	Asm, Reman Transfer Case (2spd swinging)
	1-4252B	Cable, 2 Spd Shift
2	01-2255B	Bearing Cup
3	01-2256B	Bearing Cone
4	14-153B	Seal
5	01-2287B	Seal
6	01-2273B	Bearing, Caged Roller (x4)
9	14-59B	Nut
15	01-2268B	Gear, Bottom
20	01-2306B	Bottom Shaft
21	01-2291B	Gear, Center
22	01-2292B	Shaft (or 01-6967)
23	01-2282B	Gear, Center
24	01-2307B	Top Shaft
25	01-2316B	Gear, Top
26	01-2310B	Gear, Top
27	90-2216B	Collar, 2spd Shift (1-2258)
34	01-2550B	Fork, 2spd Shift
35	01-1850B	Seal, Shift Rod
36	01-3550B	Rod, 2 Speed Shift
37	01-2290B	Washer
44	01-3583B	Uniball
47	01-2209B	Yoke, Output
48	17-135B	Yoke, Input (01-2210)

# Stationary Style Transfer Case

Series III-IV: PT/PTA and all Ford FW models

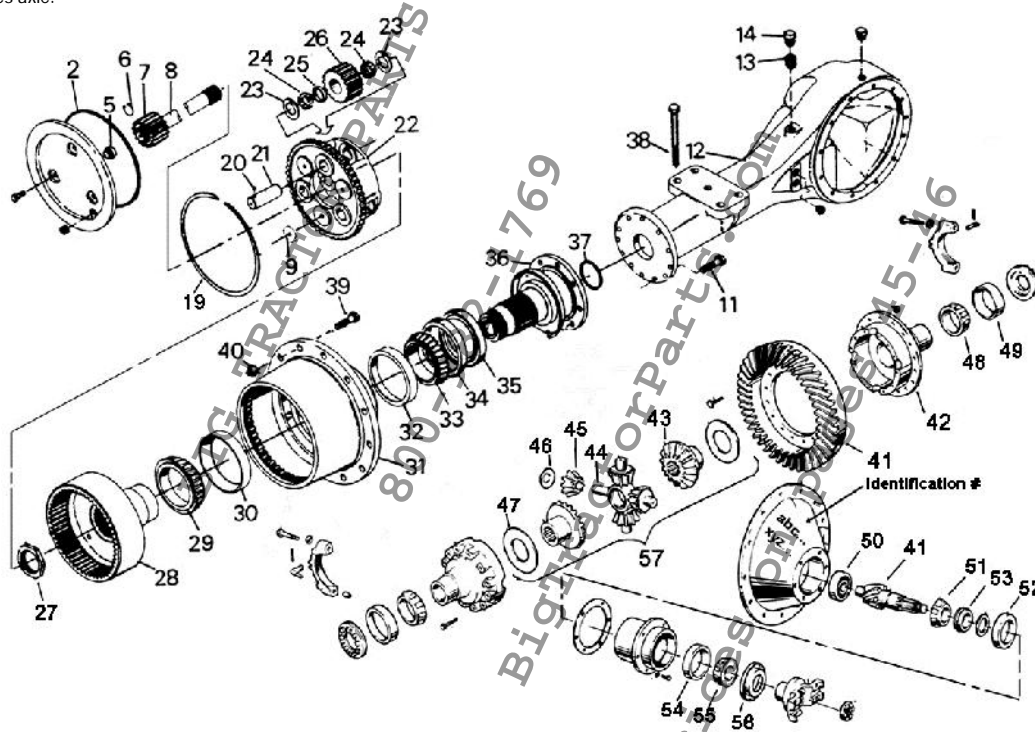


View	Part	Description
	90-2776RM	Asm, Reman Transfer Case (Auto Trans, Caliper Brake)
	90-2775RM	Asm, Reman Transfer Case (Man Trans, Caliper Brake)
	TC0002RM	Asm, Reman Transfer Case (PT, Multi-disk Brake)
	TC0003RM	Asm, Reman Transfer Case (PTA, Multi-disk Brake)
	1-4252B	Cable, 2 Spd Shift
	01-3548B	Isolator, Rubber Transfercase
2	01-2255B	Bearing Cup
3	01-2256B	Bearing Cone
4	14-153B	Seal
5	01-2287B	Seal (multidisk brake)
6	01-2273B	Bearing, Caged Roller (x4)
17	01-2268B	Gear, Bottom
18	01-3364B	Bearing Cup
19	01-3365B	Bearing Cone
23	01-3361B	Cap, Brake Mount & Bearing
24	01-2306B	Shaft, Bottom (not for use with 26A)
25	01-2291B	Gear, Center
26	01-6966B	Shaft, Center
26	90-1817B	Shaft, Center (26A)
27	01-2282B	Gear, Center
27	01-3289B	Gear, Center (PTA, 70T)
28	01-2307B	Shaft, Top
29	01-2316B	Gear, Top
29	01-3288B	Gear, Top (PTA, 31T)
30	01-2310B	Gear, Top
31	90-2216B	Collar, 2spd Shift (1-2258)
40	01-2550B	Fork, 2spd Shift
45	01-2290B	Washer
47	01-4801B	Rod, 2 Speed Shift
61	01-1850B	Seal, Shift Rod
62	90-1869B	O-ring
63	01-6992B	Yoke, Input
64	01-2209B	Yoke, Output
65	14-59B	Nut

# Dana Axles

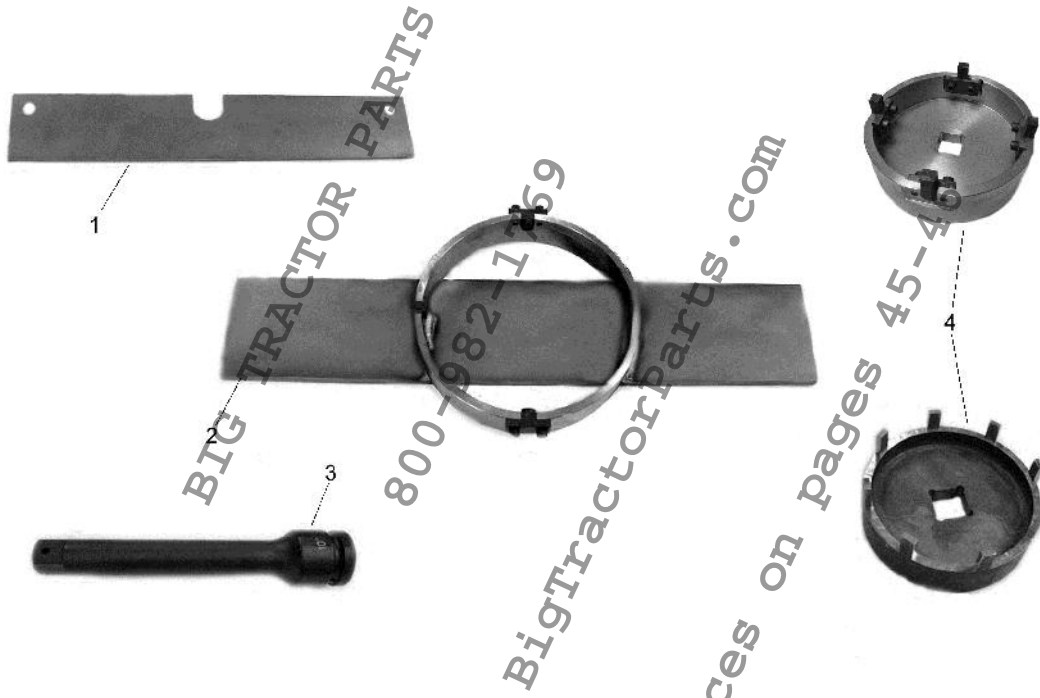
AC 440, All Series 1 & 2; Bearcat III (ST220);

Note: \*Take note of the count for the ring/pinion or record the numbers on the diff housing (as illustrated above) and the end of the pinion shaft.\*\*If item 35 present this is a late series axle.



View	Part	Description
	90-1844B	Asm, Reman Diff (ratio 4.88, Fr)*
	90-1843B	Asm, Reman Diff (ratio 4.88, Rr)*
	98611-22B	Carrier, Diff (Call for Price, 42-47)
	S-9554B	Kit, Diff Bearing and Seal (48, 49, 50-56)
2	16-361B	Oring, Planetary Cover (A235, A280)
2	16-69B	Oring, Planetary Cover (A305)
7	16-601B	Gear, Sun
7	16-364B	Gear, Sun (235)
7	16-598B	Gear, Sun (A280)
21	16-075B	Shaft
21	16-366B	Shaft (A235, A280)
24	16-77B	Bearing, Needle (52/gear)
24	35-078B	Needle Bearing & Spacer Kit (6/axle, A235 & A280)
25	16-79B	Spacer, Needle Bearing
26	16-600B	Gear, Planet
26	16-369B	Gear, Planet (A235, A280)
29	16-85PRB	Bearing, Cup/Cone (item 29, 30)
32	16-16B	Bearing, Cup
33	16-17B	Bearing, Cone
33	16-853B	Bearing, Cone** (late style, Brg# 64433)
34	16-599B	Seal, Hub
41	01-2029B	Gear Set, Ring & Pinion (Fr)
41	01-2028B	Gear Set, Ring & Pinion (Rr)
56	16-60B	Seal, Pinion
57	35-1214B	Kit, Gear/Washer/Cross

# Raba Axle Tools

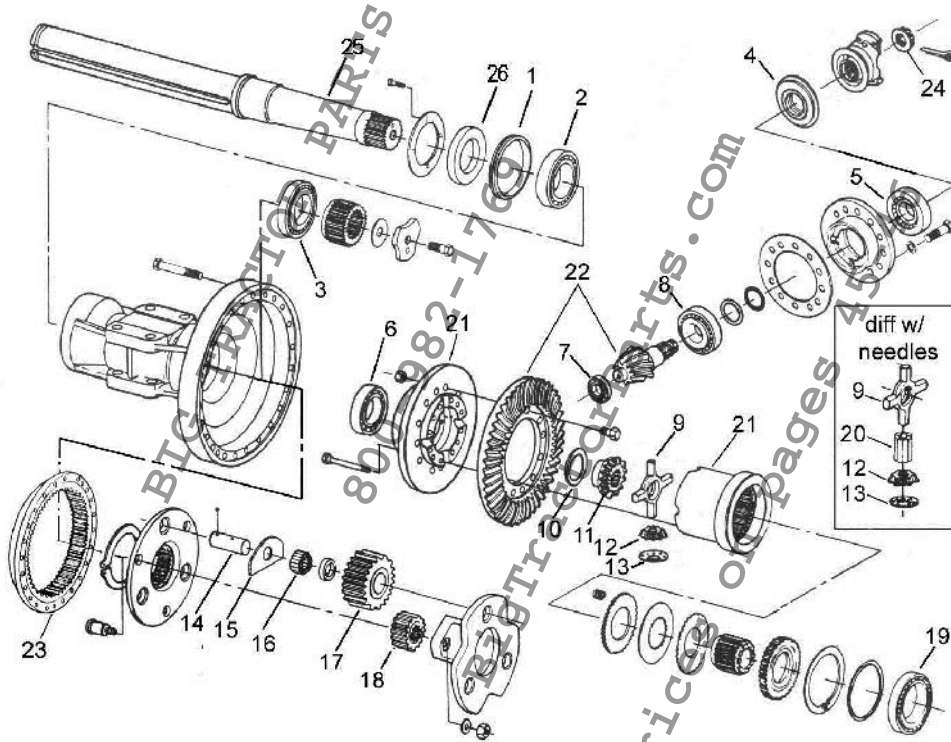


View	Part	Description
	58-089KIT	Kit, 594.20/30 Socket-Holder-Extension
	58-008KIT	Kit, K598.00/10/20/30 Spindle Nut (1, 3, & 4)
	58-266KIT	Kit, K598.60/70 & 698 Spindle Nut (1, 3, & 4)
1	58-264BTP	Support, Wrench
2	58-270_594BTP	Tool, Bearing Retainer Ring (K594.20/30)
2	58-270BTP	Tool, Bearing Retainer Ring (K598.60/70 & 698)
3	58-266BTP_EXT	Extender, Socket
4	58-008BTP	Tool, K598.00/10/20/30 Socket
4	58-266BTP	Tool, K598.60/70 & 698 Spindle Nut Socket
4	58-089BTP	Tool, Spindle Socket 594.20/30

# Raba In-Board Planetary Style Axles

1000 Series, 9X10 through 9X50

Note: Contact directly for price and availability of Limited Slip Assemblies.

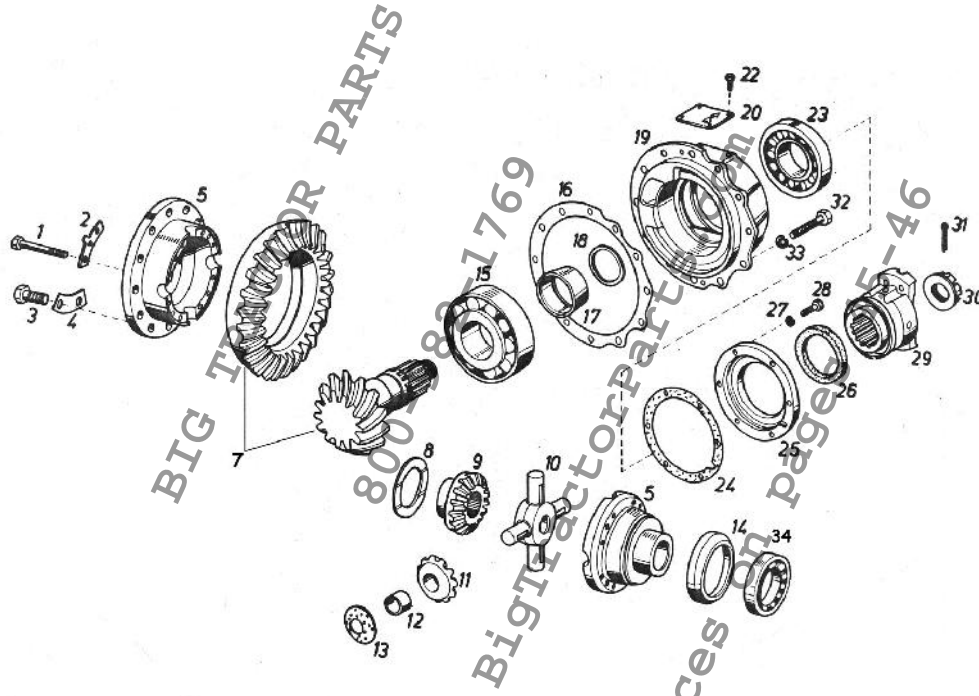


View	Part	Description
	90-6707RM	Asm, Reman 592 Axle (Fr)
	90-6705RM	Asm, Reman 592 Axle (Rr)
	90-8059RM	Asm, Reman 593/693 Axle (Fr)
	90-8058RM	Asm, Reman 593/693 Axle (Rr)
	90-7806RM	Asm, Reman 692 Axle (Fr)
	90-7807RM	Asm, Reman 692 Axle (Rr)
	592001RM	Asm, Reman Diff Carrier (items 6,9-13,19,21, 592 Axles)
	593001RM	Asm, Reman Diff Carrier (items 6,9-13,19,21, 593/693 Axles)
	692001RM	Asm, Reman Diff Carrier (items 6,9-13,19,21, 692 Axles)
	33-1291B	Seal
1	33-1246B	Seal, Planetary (592/593/692/693)
2	33-1247B	Bearing (592/692/593/693)
3	33-1248B	Bearing (592/692/593/693)
4	33-1178B	Seal, Pinion (593/593/692/693)
5	33-1179B	Bearing, Pinion (592/692/593/693)
6	16-1523B	Bearing, Diff Carrier (592/692/593/693)
7	33-1219B	Bearing, Pocket (91082R91)
8	33-1216B	Bearing, Pinion (592/593/693)
14	33-1257B	Pin, Planet (592)
14	90-4536B	Pin, Planetary (593/693)
16	01-8340B	Bearing, Caged Needle (12/axle)
16	90-8195B	Bearing, Caged Needle (692, 12/axle)
17	33-1259B	Gear, Planet (592)
17	33-1503B	Gear, Planet (593/693)
18	33-1260B	Gear, Sun (592)
18	33-1504B	Gear, Sun (593/693)
19	33-1237B	Bearing, Diff Carrier (592/692, 24903750)
19	33-1497B	Bearing, Diff Carrier (593/693)
20	90-7870B	Bearing, Needle Roller (29/gear, 692/693)
22	33-1218B	Gear Set, Ring/Pinion (592, Fr)
22	33-1217B	Gear Set, Ring/Pinion (592, Rr)
22	33-1488B	Gear Set, Ring/Pinion (593/693, Fr)
22	33-1487B	Gear Set, Ring/Pinion (593/693, Rr)
23	33-1263B	Gear, Ring (592)
23	33-1506B	Gear, Ring (593/693)
24	16-1589B	Nut, Pinion
25	90-8028B	Shaft, Bar Axle (593/693)
26	90-8029B	Retainer, Axle-Seal

# Raba K598.00/10-.20/30 Differential

Tiger II and Series II-1000: Bearcat, Cougar, and Panther

Note: \*Diff case asm may need to be ordered with needle bearings rather than brass bushings (#12).

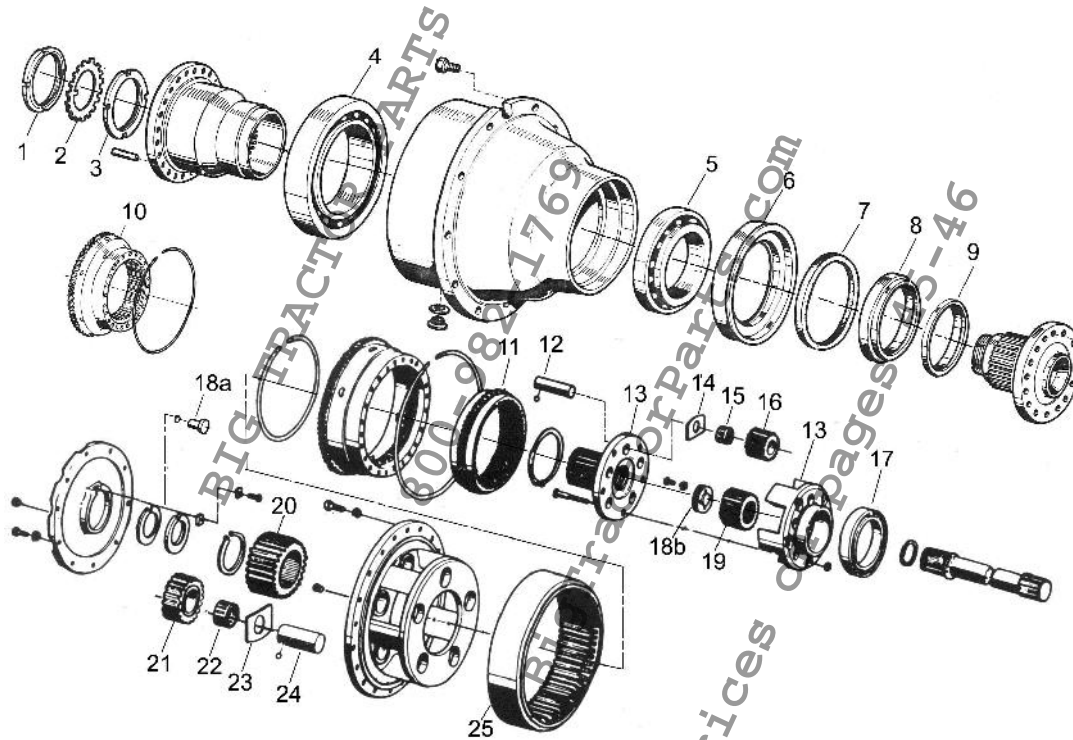


View	Part	Description
	16-1547B	Asm, Differential Carrier (34, 1-13 less no. 7)
	90-8034B	Asm, Differential Carrier (needle conversion ref: K698 diff.)*
	16-1804RM	Asm, Reman Diff (Fr)
	16-1805RM	Asm, Reman Diff (Rr)
	16-1547NSRM	Asm, Reman Diff Carrier w/No-Spin
	16-873B	Kit, No-Spin (replaces items 8-13)
5	16-1548B	Differential Housing halves
7	16-1550B	Gear Set, Ring & Pinion (Fr)
7	16-1549B	Gear Set, Ring & Pinion (Rr)
8	16-1551B	Washer, Side Thrust (4.6mm - 5.3mm)
9	16-1559B	Gear, Side
10	16-1560B	Spider (replaced by 90-7855B)*
11	16-1561B	Gear, Small Bevel (replaced by 90-7856B)*
12	16-1562B	Bushing*
13	16-1563B	Washer, Thrust (bevels)*
15	16-1565B	Bearing, Pinion
23	16-1582B	Bearing, Pinion
26	16-1585B	Seal, Pinion (83mm ID, Early 00/10)
26	90-2509B	Seal, Pinion (85mm ID, Late 00/10 and all 20/30)
30	16-1589B	Nut, Pinion
34	16-1523B	Bearing, Carrier

# Raba K598.00/10 & 20/30

Ser II: Tiger & Ser III & IV: Bearcat, Cougar, and Panther

Note: \*\*Very early versions of 21 & 22 are obsolete, but can be interchanged with new versions when purchased together.

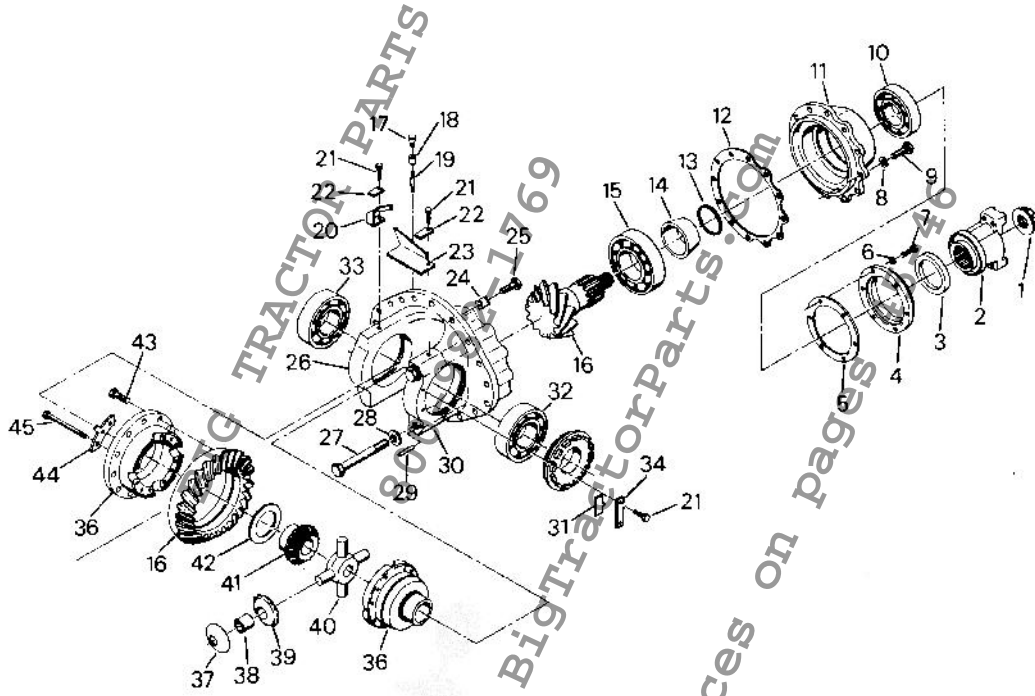


View	Part	Description
	01-8325B	Asm, Inner Planetary (Items: 12-19)
	16-798RM	Asm, Reman K598.00 Axle (Rr)
	K59801RM	Asm, Reman K598.00/10 Final Drive
	90-4405RM	Asm, Reman K598.10 Axle (Fr, 16-797)
	01-6167RM	Asm, Reman K598.20 Axle (Rr)
	K59802RM	Asm, Reman K598.20/30 Final Drive
	01-6168RM	Asm, Reman K598.30 Axle (Fr)
1	16-1539B	Nut
2	16-1538B	Washer, Tab Lock
4	16-1535B	Bearing, Hub (outer)
5	16-1532B	Bearing, Hub (inner)
6	90-6107B	Retainer (Reman Exchange)
7	90-4179B	Seal, Hub
8	01-8316B	Ring
9	90-5989B	Seal (stationary)
10	16-1611B	Gear, Double Ring (K598.00/10 only)
11	01-8334B	Gear, Ring
12	16-1606B	Pin, Planet
13	01-8326B	Inner Planetary Carrier (no. 13 only)
14	90-1009B	Plate, Spacer (K598.00/10 only)
14	01-8329B	Plate, Spacer (K598.20/30 only)
15	16-1603B	Bearing, Caged Needle (20/axle)
16	16-1604B	Gear, Planet
17	16-1597B	Bearing, Ball
18	16-1624B	Pin, Support (18a, K598.00/10 only)
18	01-8333B	Plug, Shaft Clearance Adj (18b, K598.20/30 only)
19	16-1602B	Gear, Sun
20	16-1622B	Gear, Sun
21	01-8339B	Gear, Planet
22	01-8340B	Bearing, Caged Needle (20/axle)
22	16-1617B	Bearing, Caged Needle (use w/ 16-1616 gears only, 20/axle)
23	90-1008B	Plate, Spacer (K598.00/10 only)
23	01-8341B	Plate, Spacer (K598.20/30 only)
24	16-1619B	Pin, Planet
25	16-1613B	Gear, Ring

# Raba K598.60/70 Differential

Series IV-1000: Bearcat, Cougar, Panther, through CNH 92XX models

Note: \*Diff case asm may need to be ordered with needle bearings rather than brass bushings (#38).

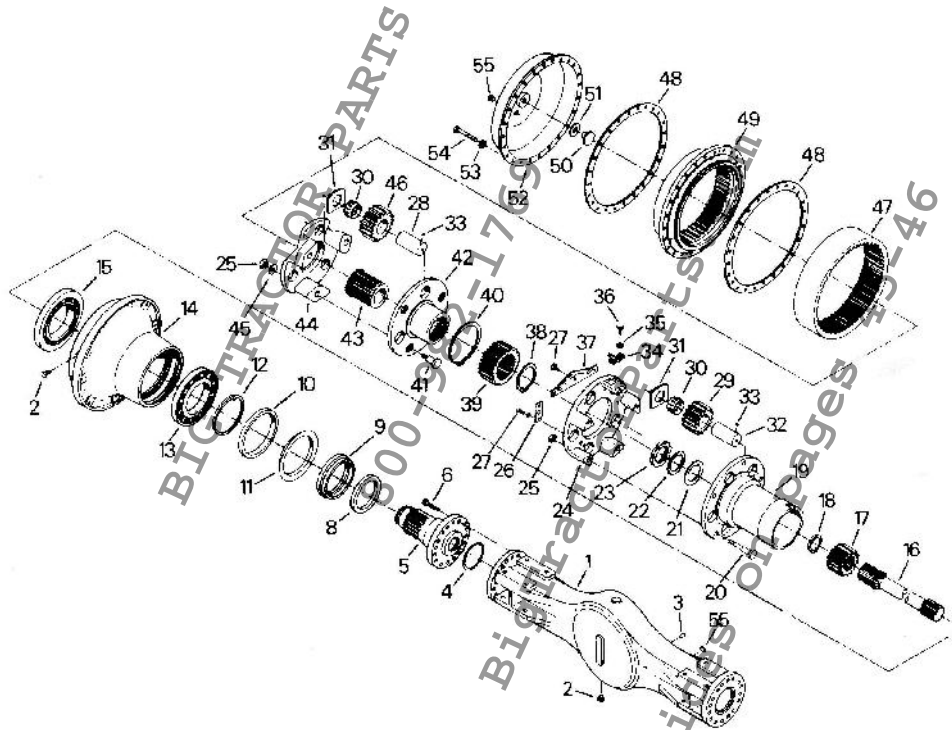


View	Part	Description
	90-8034B	Asm, Diff Carrier (needle conversion ref: K698 diff.)*
	16-1547B	Asm, Diff Case (32, 36-45)**order 90-8034B
	90-7180RM	Asm, Reman Diff (Fr, w/lmt slip)
	90-7179RM	Asm, Reman Diff (Rr, w/lmt slip)
	90-7155RM	Asm, Reman Diff Carrier (lmt slip)
	90-4486RM	Asm, Reman Diff K598.60 (Rr, w/brass)
	90-4487RM	Asm, Reman Diff K598.70 (Fr, w/brass)
	16-1547NSRM	Asm, Reman NoSpin Diff Carrier (32, 33)
	90-7164B	Coupler, Clutch Sleeve
	90-7165B	Coupler, Spline Clutch
	16-873B	Kit, No-Spin (replaces items 37-42)
	90-7168BTP	Plate, Kevlar Clutch Plate (int. spline)
	90-7169BTP	Plate, Steel Clutch Plate (ext. spline)
	33-1291B	Seal
1	16-1589B	Nut, Pinion
2	90-6566B	Yoke, Front (w/ Brake Flange)
2	01-6763B	Yoke, Rear
3	90-2509B	Seal, Pinion
10	16-1582B	Bearing, Pinion
15	16-1565B	Bearing, Pinion
16	90-4502B	Gear Set, Ring & Pinion (Fr)
16	90-4501B	Gear Set, Ring & Pinion (Rr)
32	16-1523B	Bearing, Carrier (Items 32 & 33)
32	A48105B	Bearing, Lmt Slip Diff Carrier (90-7139)
33	L33736B	Bearing Cone, Lmt Slip Diff Carrier (90-7140)
33	L33731B	Bearing Cup, Lmt Slip Diff Carrier (90-7141)
36	16-1548B	Diff Case Halves
37	16-1563B	Washer, Thrust (bevel gear)*
38	16-1562B	Bushing*
39	16-1561B	Gear, Small Bevel (replaced by 90-7856B)*
40	16-1560B	Spider (replaced by 90-7855B)*
41	16-1559B	Gear, Large Bevel
42	16-1551B	Washer, Side Thrust (4.6-5.3mm)



# Raba K598.60/70

Series IV-1000: Bearcat, Cougar, Panther, through CNH 92XX models

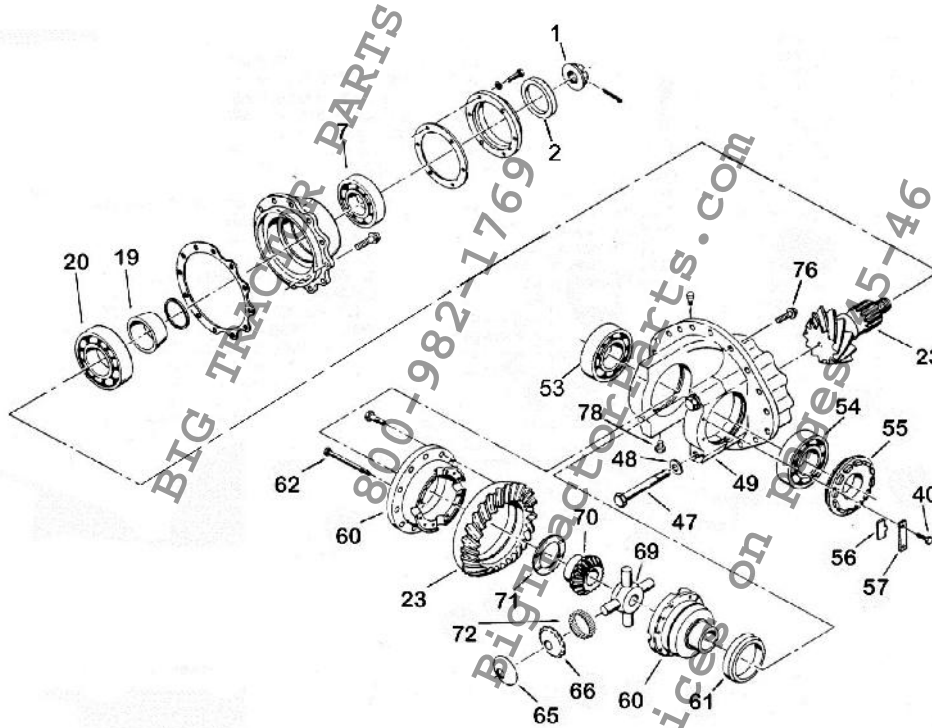


View	Part	Description
	90-6556RM	Asm, Reman Axle (Fr)
	90-6557RM	Asm, Reman Axle (Rr)
	90-6992RM	Asm, Reman Axle w/Lmt Slip (Fr)
	90-6993RM	Asm, Reman Axle w/Lmt Slip (Rr)
	58-266BTP_KIT	Kit, Spindle Nut Tool (socket & extension)
	K59803RM	Remanufactured Complete Final Drive Asm
	90-5988B	Seal & Sleeve Asm (10 & 11)
	58-270BTP	Tool, Bearing Retainer Socket (use on 90-7086)
	58-266BTP	Tool, Spindle Nut Socket
	58-264BTP	Tool, Spindle Socket Holder
5	90-4481B	Spindle, Axle
8	90-5989B	Seal
9	90-7086B	Nut, Retainer
12	90-4477B	Washer, Tab
13	90-4500B	Bearing, Hub
15	90-4498B	Bearing, Hub
17	90-4519B	Gear, Sun
22	90-4496B	Washer, Tab Lock
23	90-4495B	Nut
26	90-7817B	Strap, Final Drive Pins
28	90-2567B	Pin, Planet
29	01-8339B	Gear, Planet
30	01-8340B	Bearing, Caged Needle (32/axle)
31	01-8341B	Plate, Spacer
32	90-2567B	Pin, Planet (w/ lube hole)
32	90-4536B	Pin, Planet (w/o lube hole)
39	16-1622B	Gear, Sun
46	90-4525B	Gear, Planet
47	90-4529B	Gear, Ring
49	90-4521B	Gear, Double Ring
51	90-2554B	Shim

# Raba K698.68/78 Differential

92XX After JEE30032778

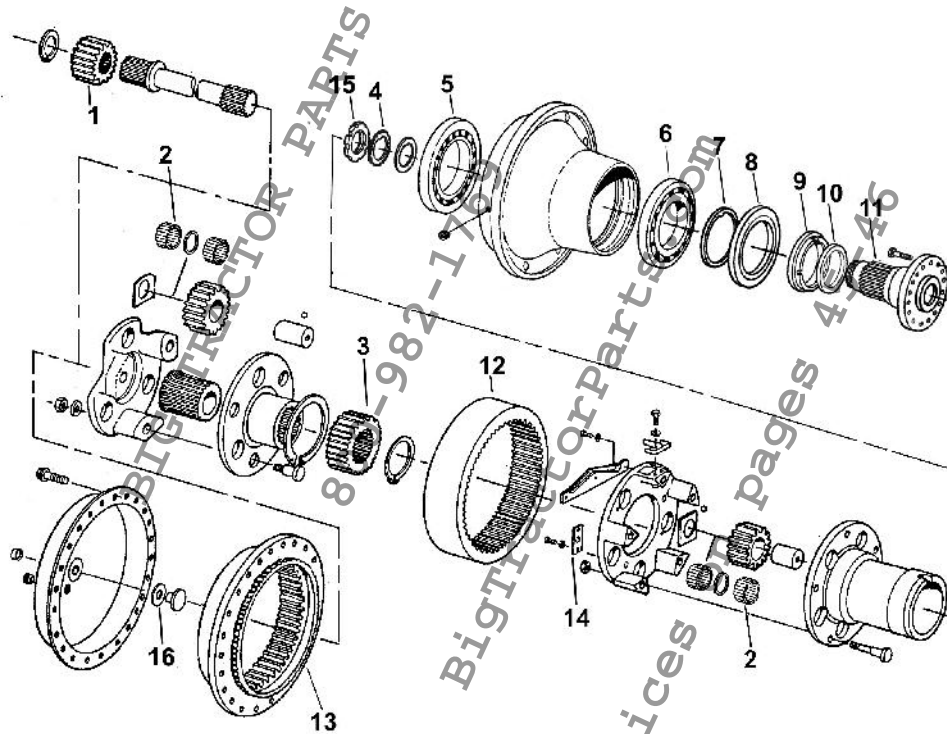
Note: \*Please contact directly prior to installation to insure that these items are correctly installed.



View	Part	Description
	90-8034B	Asm, Diff Case (items 54, 60-72)
	16-1547NSRM	Asm, Reman Diff Carrier w/NoSpin (53, 54, 60-71)
	90-7850RM	Asm, Reman Diff K698.68 (Rr)
	90-7851RM	Asm, Reman Diff K698.78 (Fr)
	90-7164B	Coupler, Clutch Sleeve
	90-7165B	Coupler, Spline Clutch
	90-7168BTP	Plate, Kevlar Clutch Plate (int. spline)
	90-7169BTP	Plate, Steel Clutch Plate (ext. spline)
	33-1291B	Seal
	90-6566B	Yoke, Front (w/ Brake Flange)
	01-6763B	Yoke, Rear
1	16-1589B	Nut, Pinion
2	90-2509B	Seal, Pinion
7	16-1582B	Bearing, Pinion
20	16-1565B	Bearing, Pinion
23	90-4502B	Gear Set, Ring & Pinion (Fr)
23	90-4501B	Gear Set, Ring & Pinion (Rr)
53	L33736B	Bearing Cone, Lmt Slip Diff Carrier
53	L33731B	Bearing Cup, Lmt Slip Diff Carrier
54	A48105B	Bearing, Lmt Slip Diff Carrier
54	16-1523B	Bearing, Tapered Roller (Items 53 & 54)
60	16-1548B	Differential Case Halves*
65	16-1563B	Washer, Thrust (bevel gear)*
66	90-7856B	Gear, Bevel*
69	90-7855B	Spider*
70	16-1559B	Gear, Side*
71	16-1551B	Washer, Side Thrust (4.6-5.3mm)*
72	90-7870B	Bearing, Needle Roller (29/gear)*

# Raba K698 Final Drives

92XX After JEE30032778

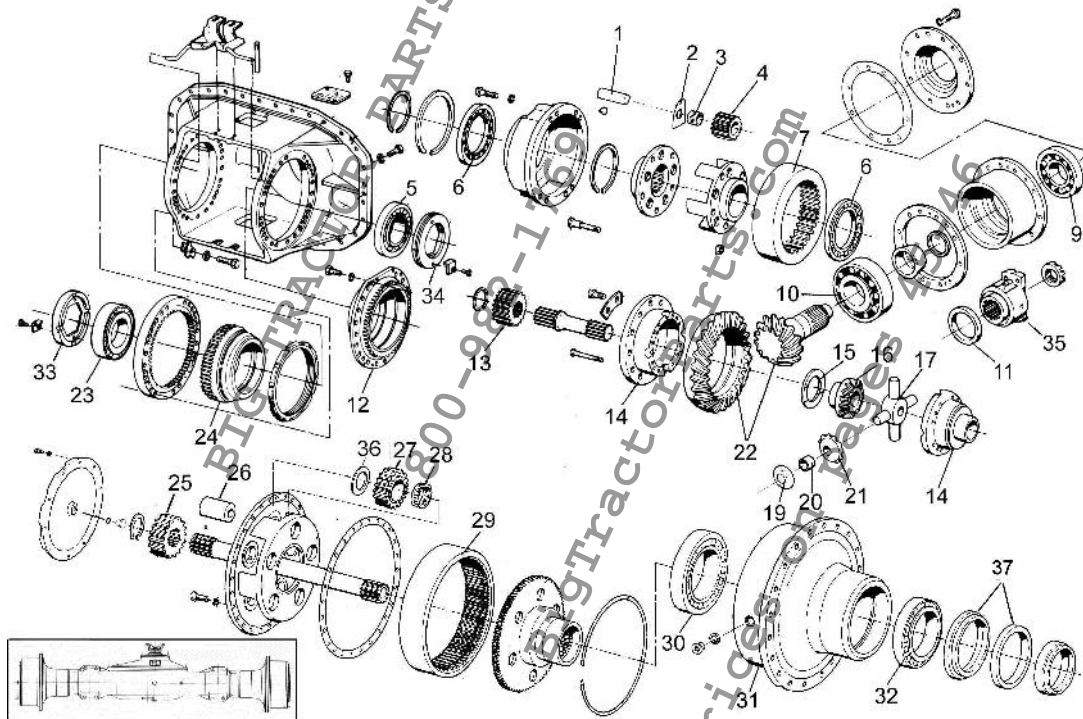


View	Part	Description
	90-7842RM	Asm, Reman Complete Axle (Fr, w/lmt slip)
	90-7844RM	Asm, Reman Complete Axle (Fr, w/o lmt slip)
	90-7843RM	Asm, Reman Complete Axle (Rr, w/lmt slip)
	90-7845RM	Asm, Reman Complete Axle (Rr, w/o lmt slip)
	K69801RM	Asm, Reman Final Drive
	58-266BTP_KIT	Kit, Spindle Nut Tool (socket & extension)
	58-270BTP	Tool, Bearing Retainer Socket (use on 90-7086)
	58-266BTP	Tool, Spindle Nut Socket
	58-264BTP	Tool, Spindle Socket Holder
1	90-4519B	Gear, Sun (90-7846T1)
2	90-7832B	Bearing, Needle Rollers (44/gear)
3	16-1622B	Gear, Sun (90-7841T1)
4	90-4496B	Washer, Tab Lock
5	90-7762B	Bearing, Cone (outer)
5	90-7761B	Bearing, Cup (outer)
6	90-7760B	Bearing, Cone (inner)
6	90-7759B	Bearing, Cup (inner)
7	90-4477B	Washer, Tab
8	90-5988B	Seal & Sleeve Asm
9	90-7086B	Nut, Retainer
10	90-5989B	Seal
11	90-4481B	Spindle, Axle
12	90-4529B	Gear, Ring
13	90-4521B	Gear, Double Ring
14	90-7817B	Strap, Pin Retainer
15	90-4495B	Nut
16	90-2554B	Shim

# Raba K594.00/10 & K594.05/15

Series III: Tiger 450/470 and (594.00/10 only Panther 1400)

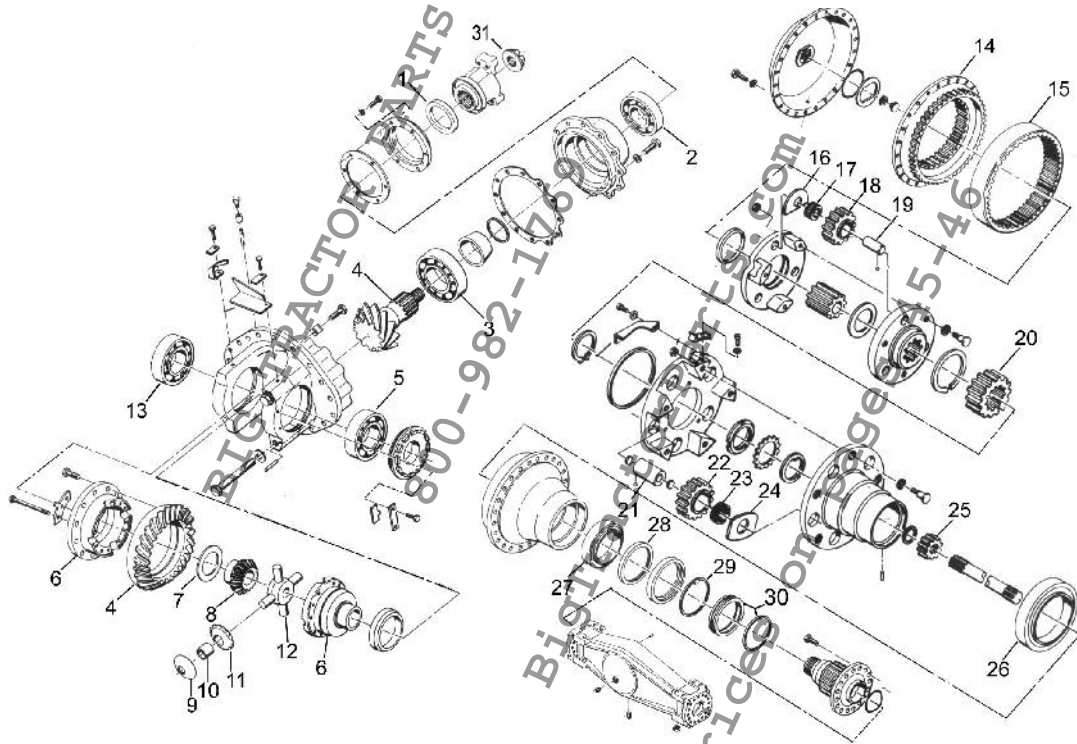
Note: \*Indicated parts on the Panther 1400 need to be replaced in both the front and rear differentials.



View	Part	Description
	01-6742NB	Asm, Diff Carrier (w/ needles, 14-21, 5, 23)
	01-6705RM	Asm, Reman Diff (Fr)
	01-6704RM	Asm, Reman Diff (Rr)
	01-6742NSRM	Asm, Reman Diff Carrier w/No-Spin
	16-873B	Kit, No-spin (replaces 16, 17, 19-21)
	01-6763B	Yoke, Axle
1	16-1606B	Pin, Planet
3	16-1603B	Bearing, Caged Needle (20/axle)
4	16-1604B	Gear, Planet
5	16-1523B	Bearing, Tapered Roller
6	01-6728B	Bearing, Roller
7	01-6739B	Gear, Ring
8	16-1589B	Nut, Pinion
9	16-1582B	Bearing, Pinion
10	01-6749B	Bearing, Pinion
11	90-2509B	Seal, Pinion
12	01-6718B	Bearing Block, Splined
13	16-1602B	Gear, Sun
14	01-6743B	Differential Housing
16	16-1559B	Gear, Large Bevel
17	16-1560B	Spider (replaced by 90-7855B)
21	16-1561B	Gear, Small Bevel (replaced by 90-7856B)
22	01-6748B	Gear Set, Ring & Pinion (Fr)*
22	01-6747B	Gear Set, Ring & Pinion (Rr)*
23	01-6709B	Bearing, Tapered Roller
24	01-6711B	Bearing Block, Splined
25	01-6773B	Gear, Sun
26	01-6778B	Pin, Planet
27	01-7022B	Gear, Planet
28	90-8195B	Bearing, Caged Needle (20/axle)
29	01-7160B	Gear, Ring
30	01-7162B	Bearing, Tapered Roller
31	01-7163RM	Housing, Reman Wheel Hub
32	16-1532B	Bearing, Tapered Roller
33	01-6708B	Ring, Retainer
34	01-6719B	Ring, Retainer
35	01-6763B	Yoke
36	01-6779B	Washer, Thrust
37	01-7164BTP	Kit, Hub Seal

# Raba K594.20/30

Tiger IV & 9190

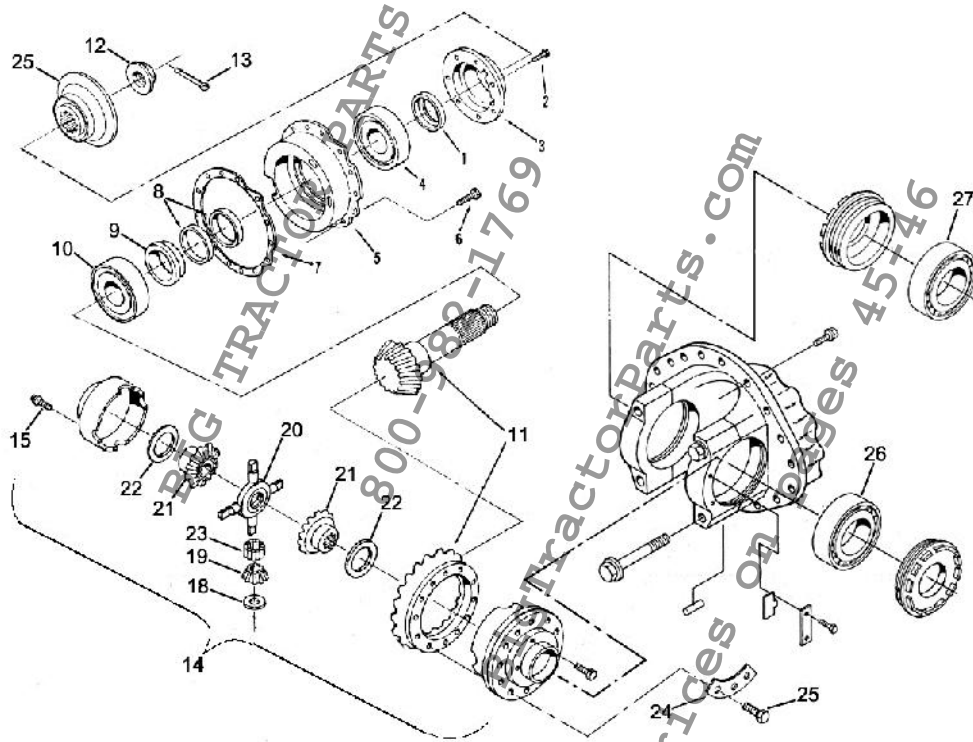


View	Part	Description
	90-2568B	Asm, New Diff (Rr)
	16-873B	Kit, No-Spin (replaces 7-12)
1	90-2509B	Seal, Pinion
2	90-2505B	Bearing, Pinion
3	90-2483B	Bearing, Pinion
4	90-2480B	Gear, Ring/Pinion (Fr)
4	90-2481B	Gear, Ring/Pinion (Rr)
5	16-1523B	Bearing, Diff Carrier
7	16-1551B	Washer, Side
8	16-1559B	Gear, Side
9	16-1563B	Washer, Thrust (bevels)
10	16-1562B	Bushing
11	16-1561B	Gear, Bevel (replaced by 90-7856B)
12	16-1560B	Spider (replaced by 90-7855B)
13	90-2519B	Bearing, Diff Carrier
14	90-2556B	Gear, Ring (outer)
15	90-2557B	Gear, Ring (inner)
17	01-8340B	Bearing, Caged Needle (12/axle)
18	90-2566B	Gear, Planet
19	90-2567B	Pin (planetary)
20	90-2563B	Gear, Sun
21	90-2543B	Pin (planetary)
22	90-2542B	Gear, Planet
23	90-8195B	Bearing, Caged Needle (20/axle)
24	90-2540B	Plate, Thrust
25	90-2537B	Gear, Sun
26	16-1535B	Bearing, Hub (outer)
27	01-7162B	Bearing, Hub (inner)
28	90-6191B	Seal, Hub
29	90-2531B	Ring
30	90-2529B	Seal, Stationary Hub
31	01-6764B	Nut, Pinion

# Raba 694 Differential

9370, 9380, 9390

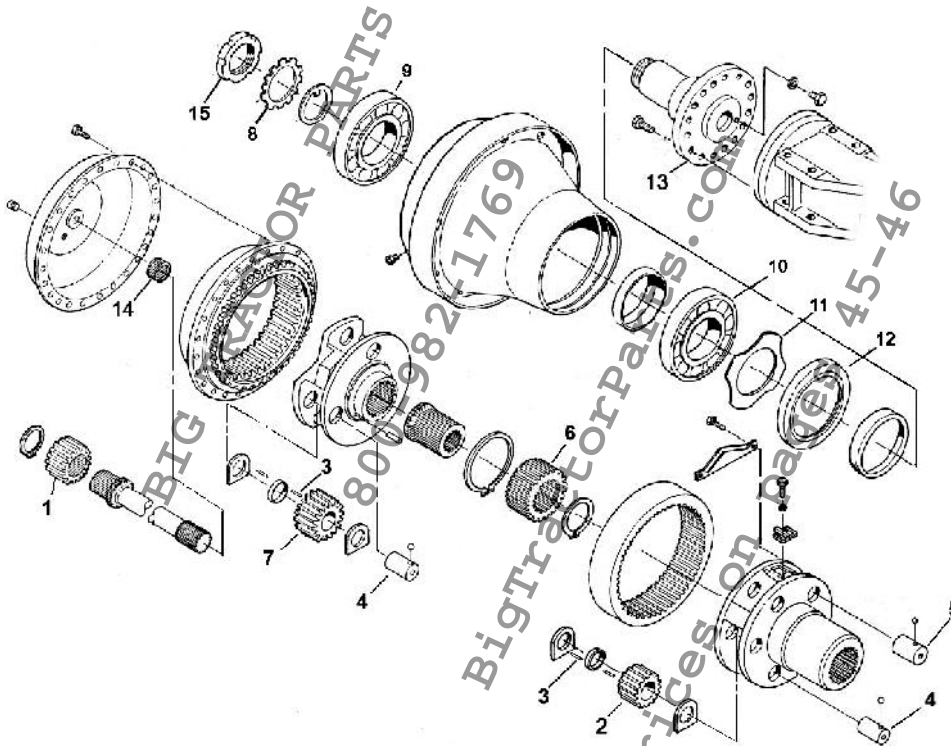
Note: \*Diff carrier is sold as a complete unit in order to ensure proper setup.



View	Part	Description
	90-8129RM	Asm, Reman Diff (Fr)
	90-8063RM	Asm, Reman Diff (Fr, w/Lmt Slip)
	90-8128RM	Asm, Reman Diff (Rr)
	90-8062RM	Asm, Reman Diff (Rr, w/Lmt Slip)
	33-1291B	Seal
1	90-2509B	Seal, Pinion
4	16-1582B	Bearing, Pinion
10	16-1565B	Bearing, Pinion
11	90-8081B	Gear Set, Ring & Pinion (Fr)
11	90-8080B	Gear Set, Ring & Pinion (Rr)
12	16-1589B	Nut, Pinion
14	90-8370B	Asm, Diff Carrier (18-24, 26, 27)*
14	90-8074RM	Asm, Reman Lmt Slip Diff Carrier (plates not included)
19	90-7856B	Gear, Spider
20	90-8078B	Cross, Diff
21	90-8079B	Gear, Side
23	90-7870B	Bearing, Needle Rollers (29/gear)
25	90-7824B	Yoke, Front (w/ Brake Flange)
25	90-7822B	Yoke, Rear
26	90-8277B	Bearing, Carrier (119390A1B)
26	L35045B	Bearing, Cone (w/Lmt Slip)
26	L30842B	Bearing, Cup (w/Lmt Slip)
27	A48105B	Bearing, Carrier

# Raba 694 Final Drives

9370, 9380, 9390

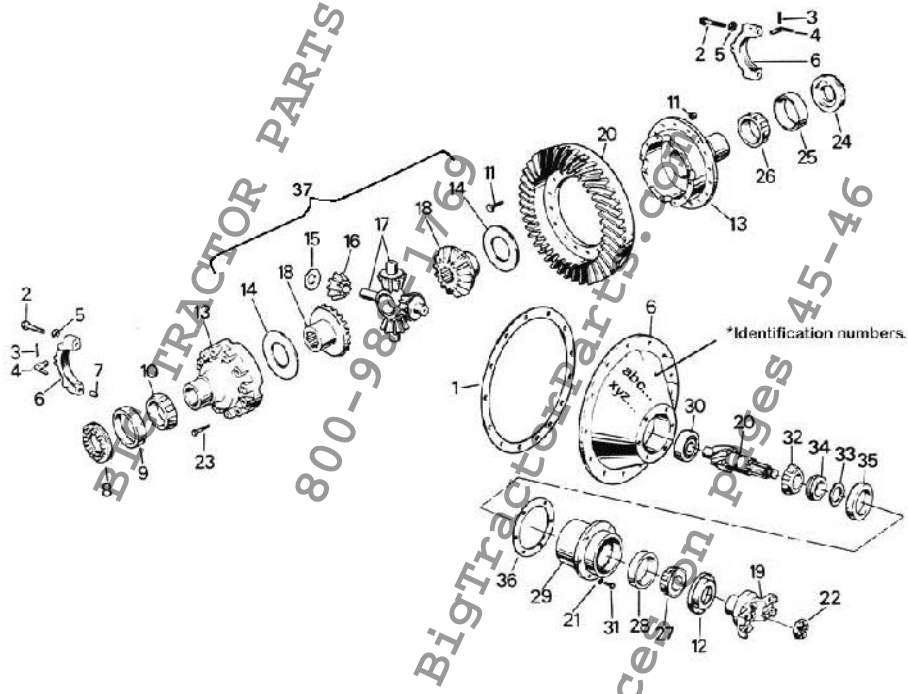


View	Part	Description
	90-7804RM	Asm, Axle 694.60 (Fr, w/Lmt Slip)
	90-7802RM	Asm, Axle 694.62 (Rr, w/o Lmt Slip)
	90-7805RM	Asm, Axle 694.70 (Rr, w/Lmt Slip)
	90-7803RM	Asm, Axle 694.72 (Fr, w/o Lmt Slip)
	694003RM	Asm, Reman Final Drive
	58-266BTP_KIT	Kit, Spindle Nut Tool (Socket & extension)
	58-266BTP	Tool, Spindle Nut Socket (use on 90-8093)
	90-8110B	Washer, Thrust
1	90-8101B	Gear, Sun
2	90-8122B	Gear, Planet
3	90-7832B	Bearing, Needle Roller (44/gear)
4	90-8065B	Pin, Planet (w/ lube hole)
5	90-8121B	Pin, Planet (w/o lube hole)
6	90-8114B	Gear, Sun
7	90-8111B	Gear, Planet
8	90-8094B	Washer, Tab Lock
9	90-8096B	Bearing, Cup/Cone (outer)
10	90-8098B	Bearing, Cup/Cone (inner)
11	90-8099B	Plate
12	90-5988B	Seal & Sleeve Assembly
13	90-8390B	Spindle, Axle (interchangeable w/ 90-8090)
14	90-8105B	Plug, Axle Endplay
15	90-8093B	Nut

# S-34/40 Differential and Carrier Assembly

Series III & IV: Bearcat, Cougar, Panther III, all Ford FW models, and VERSATILE 895, 935, & 950

Note: \* Please record these 2 numbers to accurately identify your differential. \*\*Some modifications to your differential maybe required before installing ring/pinion sets.



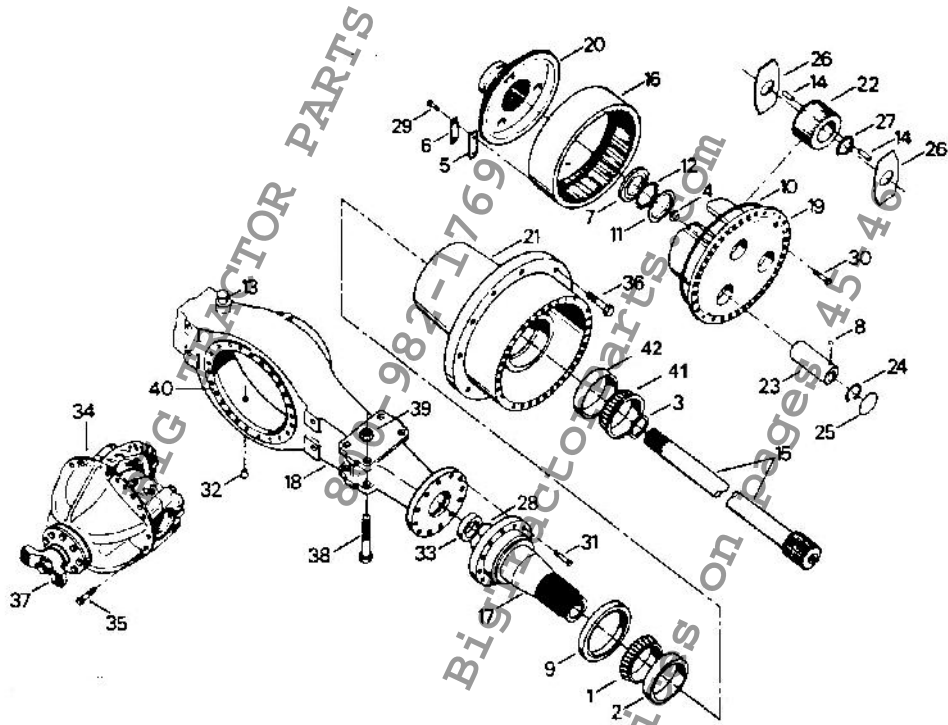
View	Part	Description
	98611-22	Asm, Carrier and Internals S-34 (items 13-18, 22 splines)
	98611-36	Asm, Carrier and Internals S-40 (items 13-18, 36 splines)
	90-1844RM	Asm, Reman Diff (Fr, 22 splines)
	90-1877RM	Asm, Reman Diff (Fr, 36 splines)
	90-1843RM	Asm, Reman Diff (Rr, 22 splines)
	90-1878RM	Asm, Reman Diff (Rr, 36 splines)
	S-9554B	Kit, Bearing and Seal
12	16-60B	Seal, Pinion
19	01-5513B	Yoke, Diff
20	01-2029B	Gear Set, Ring & Pinion (Fr)**
20	01-2028B	Gear Set, Ring & Pinion (Rr)**
30	01-2018B	Bearing, Pinion Pocket
37	01-4742B	Kit, NoSpin S-34 (22spl, 23120)
37	90-4045B	Kit, NoSpin S-40 (36spl, 23120)
37	35-1213B	Kit, S-34 Differential (22 splines, items 14-18)
37	35-1375B	Kit, S-40 Differential (36 splines, items 14-18)



# S-34 and S-40 Axles

Series III & IV: Bearcat, Cougar, Panther III and all Ford FW models

Note: \*S-34 hubs each use 2 of view no. 1 & 2, but a S-40 hub uses only 1 of view no. 1 & 2 and then 1 of view no. 41 & 42.

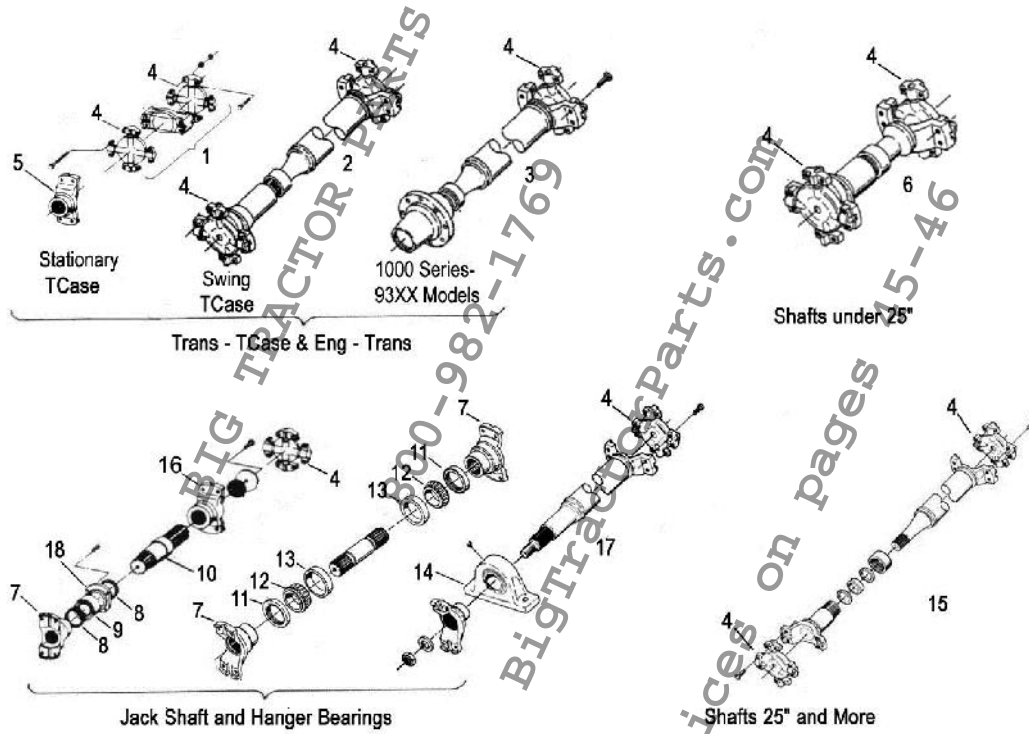


View	Part	Description
	S43405RM	Asm, Reman Final Drive (S-34, w/shaft)
	S43406RM	Asm, Reman Final Drive (S-40, w/shaft)
	90-4010RM	Asm, Reman S-34 Axle (Fr)
	90-4011RM	Asm, Reman S-34 Axle (Rr)
	90-2658RM	Asm, Reman S-40 Axle (Fr)
	90-2659RM	Asm, Reman S-40 Axle (Rr)
1	01-1357B	Bearing Cone*
2	01-1358B	Bearing Cup*
9	90-3839B	Seal
10	01-1397B	O-ring
11	01-1349B	Nut, Spindle
12	01-1363B	Washer, Tab Lock
14	01-1354B	Bearing, Planetary Needle (48/gear)
15	01-1403B	Shaft, 22 Splines (S-34)
15	90-1820B	Shaft, 36 Splines (S-40 and a few Late S-34)
16	01-1400B	Gear, Ring
22	01-1399B	Gear, Planet
23	01-1353B	Pin, Planet
26	01-3093B	Plate, Thrust
41	16-755B	Bearing Cone (S-40 only)*
42	16-1206B	Bearing Cup (S-40 only)*

# U-Joints and Drive Shaft Hanger Assemblies

Series I-IV, 1000, and 9XXX:

\*Shaft needs to be purchased with Detuner #378758A2, call for details. \*\*If shaft is not seen below, look to the pricelist in back.

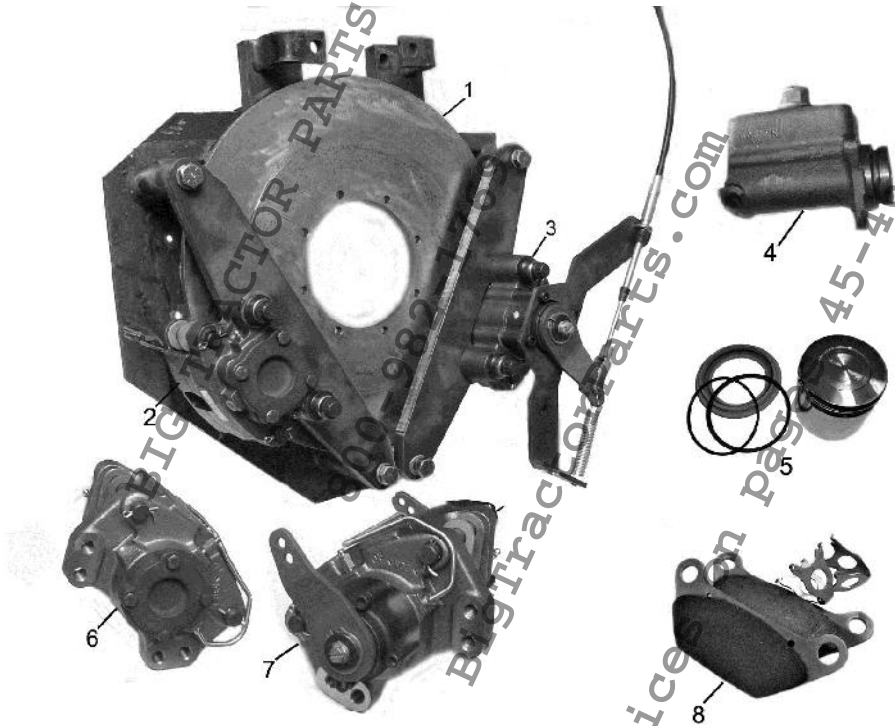


View	Part	Description
	90-3506B	Housing, Driveshaft Bearing
	90-2689B	Housing, Driveshaft Bearing
1	01-3249B	Shaft, Stub (5")
1	90-1050B	Shaft, Stub (7.5")
3	90-6663B	Driveshaft, Engine
3	90-6458B	Driveshaft, Engine (6C, 91/92/9310, 30)
3	90-7510B	Driveshaft, Engine (92/9370, 80, 90)
3	90-7746B	Driveshaft, Engine (9350, Syncro)
3	90-3707B	Driveshaft, Eng-Trans (Tiger 525, 9190)
3	90-6185B	Driveshaft, Eng-Trnsmssn (9x40/50/60)
3	47-3188CNVB	Kit, Driveshaft Conversion (Tiger 3)*
4	Ujoint	17-201, 17-175, 309093, 431621, 1-9994, 90-1538, 90-5882, 90-1907
4	90-6999B	Driveshaft (Fr, w/o steerable axle)
5	02-1443B	Yoke, Allison Transmission
6	47-4250B	Driveshaft (17-140, Tiger3/4, 9190)
6	90-1902B	Driveshaft (9170/80 cntr & 9370/80/90 Fr)
6	90-7375B	Driveshaft (9x70/80 Fr-PS, Rr-Sync)
6	90-7134B	Driveshaft, Front Axle
6	90-7747B	Driveshaft, Front Axle
6	90-6664B	Driveshaft, Front Axle
6	90-7691B	Driveshaft, Front Axle
6	90-1901B	Driveshaft, Front Axle
6	90-7376B	Driveshaft, Intermediate
6	90-6180B	Driveshaft, Rear Axle
6	01-3233B	Shaft Asm, TCCase-CntrHng
7	90-2687B	Yoke, Hanger (Late Ser3 & Ser4)
7	90-1489B	Yoke, Hanger Bearing (1000-9170/80 series)
10	PT/PTAJackShaft	(7)1-3428B, (8)14-153B, (9)1-3430B, (10)1-3419, (18)1-3418
11	90-1934B	Seal, Jack Shaft
12	90-1862B	Bearing, Cone
13	90-1322B	Bearing, Cup
14	90-6537B	Hanger Bearing (91/9210-30, 9330)
14	451767A1B	Hanger Bearing (9270-80, 9370-90)
14	409684A1B	Hanger Bearing (BC/Coug 1000, 9150, 9240-60, 9350)
14	47-4231B	Hanger Bearing (Tiger 3)
15	90-1903B	Drivshaft, Rear Axle
16	01-2209B	Yoke, Output (hanger)
17	90-7628B	Driveshaft, Rear Axle

# Caliper Style Brake Assembly

New Calipers and Brake Components for Steiger and Versatile Tractors

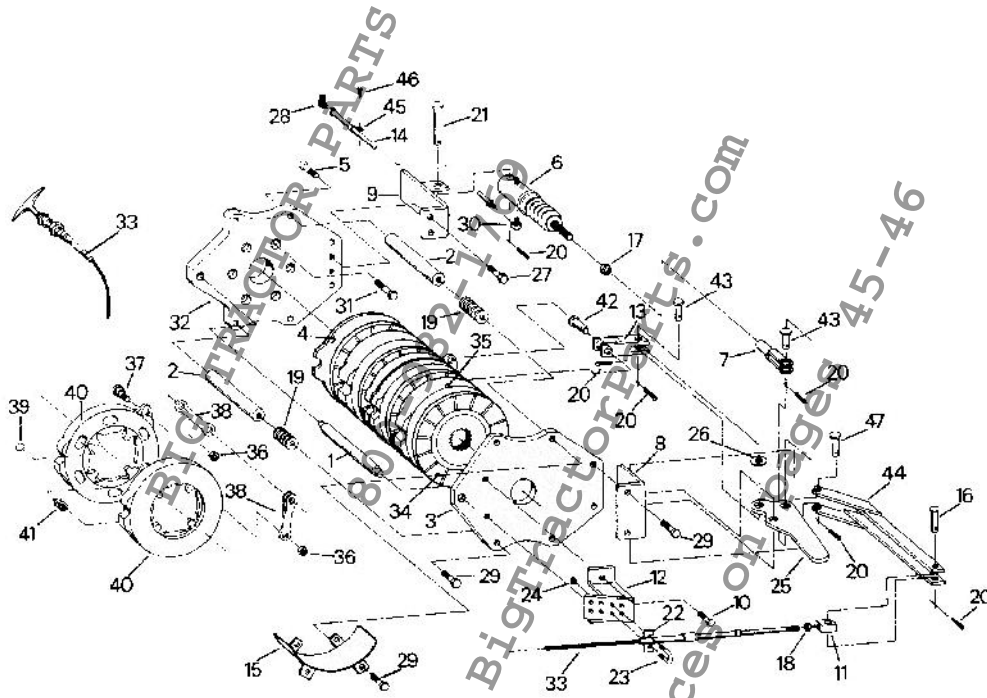
\*These pads are for the obsolete brake caliper. \*\*Pictures are not an exact representation of the item.



View	Part	Description
	Park Cables	60-2221B, 60-5616B, 33-297B, 47-3739B, and more
	90-7272B	Caliper, Mechanical Park Brake
	A46917B	Pin, Pad Retainer
	47-4476B	Valve, Brake Flow Regulator
1	55-135B	Disk, Brake
1	47-3438B	Disk, Brake (SIII Tiger 450/470)
2	01-6046B	Caliper, Brake Assembly...N/A (See 01-6046STKIT)**
2	01-6046STKIT	Kit, Brake Caliper Asm w/ brackets & hardware
2	V15435B	Kit, Versatile Brake Caliper & Mount (Single Piston)
3	01-6046STRPKIT	Kit, Brake Caliper Asm w/ park, brackets, & hardware
4	01-2961B	Brake Master Cylinder (2spd Tcase w/ multi stack brakes)
4	2-4004B	Brake Master Cylinder (Brakes with Hyd Assist)
4	60-2821B	Brake Master Cylinder (Dual piston - dual caliper)
4	V53051B	Brake Master Cylinder (Versatile Dual Piston)
4	V20441B	Brake Master Cylinder (Versatile Single Piston)
4	90-2252KIT	Brake Master Cylinder Kit
4	33-63B	Brake Master Cylinder(Single Speed T-case)
4	02-1207B	Brake Master/Booster Cylinder Asm (Tiger & Ser 3 PTA)
5	C13-12013KIT	Kit, Caliper Rebuild (piston, seal, boot, #2&3)
5	90-7651B	Kit, Caliper Rebuild (piston, seal, boot, 2/caliper)
5	47-3009SEAL	Kit, Caliper Seal (1/caliper)
5	V53902B	Kit, Early Caliper Seal (2/caliper)
5	98-135SEAL	Kit, Mounting Boot & Oring Seal (use on #2&3)
5	86000350KIT	Kit, Piston Seal & Boot (use on #2-5)
5	47-4736B	Piston (4/ caliper)
5	A46967B	Piston, Early Style (2/caliper)
6	47-3009B	Caliper, Brake (Ser 3 & 4 Tiger, 9190)
6	90-7649B	Caliper, Brake Asm w/o Park (call for application)
7	90-8368B	Caliper, Brake Asm w/ Park (cw, call for application)
7	90-1352B	Caliper, Brake Asm w/ Park (cw, call for application)
7	9705813B	Caliper, Brake Asm, w/ Park (ccw, call for application)
7	90-1993B	Caliper, Brake Asm, w/ Park (ccw, call for application)
8	01-6047B	Pad Set, Brake (set, V19613)*
8	90-7506B	Pad Set, Brake (spring clips included)
8	47-4734B	Pad Set, Brake (Tiger 3/4, 9190)
8	01-6047STB	Pad Set, Brake (use with #2&3, 1/caliper)
8	90-4571SET	Pad, Tiger Park Caliper (cable operated, w/90-4572)

# Multi-Disc Brake Group

ST Ser III w/20 speed and PT/PTA Series III

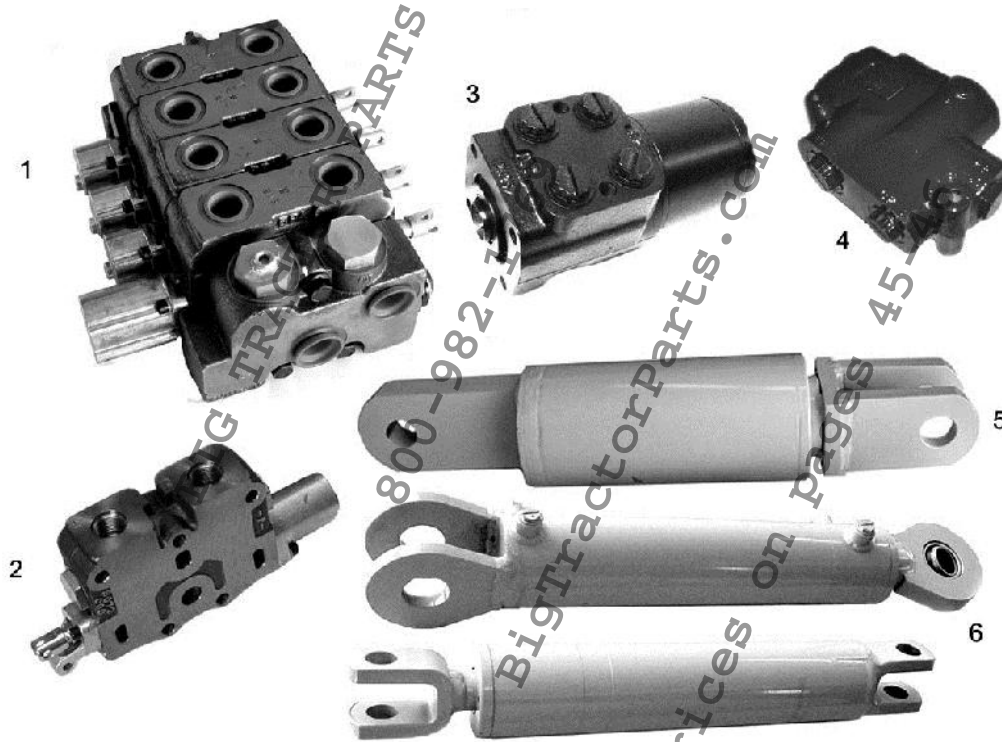


View	Part	Description
3	01-3715B	Plate, Outside Brake (Stationary T-C Only)
4	90-2889B	Plate, End (1/tractor)
6	90-1410B	PTA Slave Cylinder
6	54-299B	Slave Cylinder
32	01-3361B	Cover, Brake-Bearing (Stationary T-C Only)
33	60-1388B	Cable, Park Brake (Multi Disk Brake)
34	01-4668B	Plate, Brake (4/tractor)

# Hydraulic Components

Series I through IV and IH 43XX, 45XX, & 47XX models

Note: All of the items listed are NEW.



View	Part	Description
	1-3985B	Cable, Hydraulic Control
	60-2055B	Cable, Hydraulic Control
	31-1778KIT	Kit, Shuttle Valve (valve & fittings)
	35-1059B	Kit, Valve Seal (1/valve section)
	50-1209B	Valve, Adjustable Relief (18-1542 & 50-1139)
1	18-460SSB	Valve Bank Asm, Hydraulic (1 float, 1 sprng cntr)
1	50-1398SSB	Valve Bank Asm, Hydraulic (1 float, 2 sprng cntr)
1	50-1398B	Valve Bank Asm, Hydraulic (1 float, 2 w/detent)
1	50-1396B	Valve Bank Asm, Hydraulic (1 float, 3 w/detent)
1	50-1397B	Valve Bank Asm, Hydraulic (1 float, 4 w/detent)
1	50-1397SSB	Valve Bank Asm, Hydraulic (1 float, 4 w/spring center)
1	50-1396SSB	Valve Bank Asm, Hydraulic (1float, 3w/spring center)
2	50-1981MDB	Valve, Hydraulic (Manual Det)
2	50-1981SSB	Valve, Hydraulic (spring center, w/o float)
2	50-1981B	Valve, Hydraulic (w/detent)
2	50-1979B	Valve, Hydraulic (w/float)
3	50-1392KIT	Kit, CP/KP 1000 Steering Orbital Replacement
3	50-3615B	Steering Control Valve (01-9556)
3	146605B	Steering Control Valve (43-4566/68)
3	50-3616B	Steering Control Valve (50-2600, Small 9xxx)
3	50-2304B	Steering Control Valve (9150/9250)
3	50-2542B	Steering Control Valve (9170/80-9270/80)
3	50-3653B	Steering Control Valve (9370/80/90)
3	17-7283A1B	Steering Control Valve (Series II: 18-006)
3	47-3001B	Steering Control Valve (Tiger 3)
4	47-3505B	Kit, Flow Divider & Fitting
4	18-1505BTP	Valve, Flow Divider (indicate if PT or ST tractor)
4	50-3155B	Valve, Priority
4	50-2543B	Valve, Priority
4	01-2391B	Valve, Priority (Series 3)
5	50-1058B	Cylinder, 3pt Lift (2.5" rod)
5	01-4194B	Cylinder, 3pt Lift (Large Frame Ser II/III & IV) USE 50-1058B
6	18-1148B	Cylinder Asm (2-2119; WC, BC, IH 43/45/4786, 4366, & 4568)
6	18-1147B	Cylinder Asm (71342C92; Ser I/II C, P, and T)
6	50-2141B	PT Series III Cylinder Asm (9-14)
6	50-2589B	ST Series III Cylinder Asm (9-14)

# Pumps & Pump Drives

Series I through 9XXX Steigers

Note: All of the items listed are NEW.

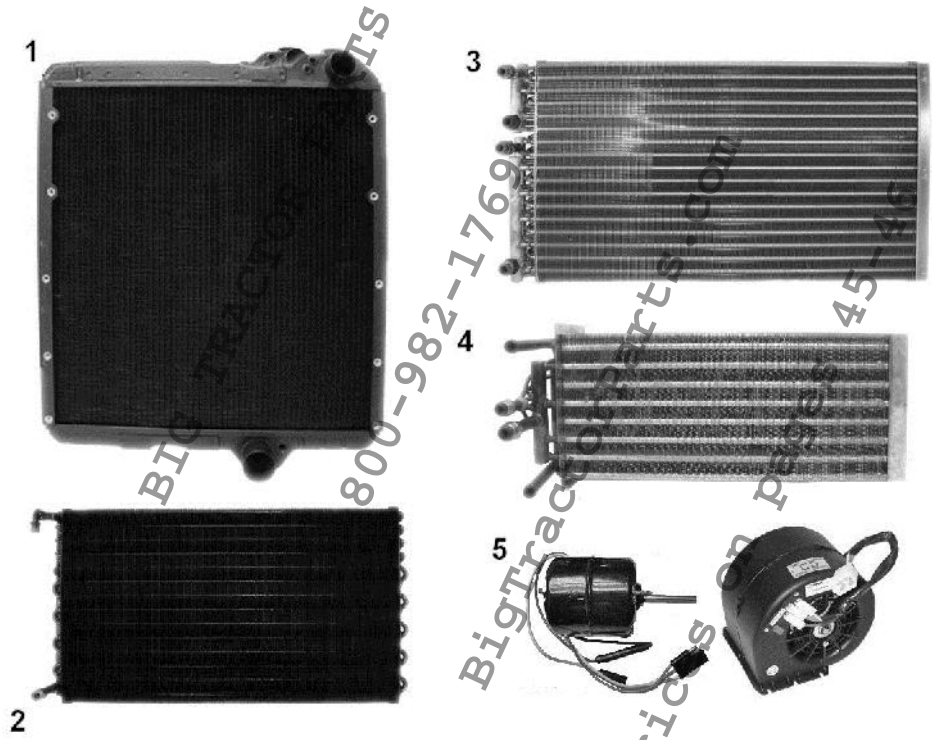


View	Part	Description
1	50-1852B	Pump (3406 HD)
1	18-1629B	Pump (brass fittings inc, PIII/ST350 w/903)
1	18-1508B	Pump (Cat 3208, WC III, ST/RC210)
1	18-1415B	Pump (Cat 3208; Ser I & II BC and WC)
1	18-979B	Pump (Cat 3306; Cougar II)
1	50-1298B	Pump (Cat 3306; Ser III ST & PT225/250/270, & PTA 270 )
1	50-1075B	Pump (Cat 3406, Ser III ST280/325 & PTA325)
1	50-3555B	Pump (Cummins 855; PII, Ser III ST220, ST&PTA251/280/310)
1	50-2049B	Pump (Ser 3/4 Tiger, 50-2048B Ser4 3406)
1	50-2095B	Pump (SIV Models w/ L10 engine)
1	18-582B	Pump (TII, 4bolt)
1	50-2450B	Pump, Charge (CR/KR w/ difflock)
1	50-2486B	Pump, Charge (CR/KR)
1	50-3239B	Pump, Charge (used w/50-1452)
1	2084564B	Pump, Hydraulic (AC 440)
1	50-3518B	Pump, Implement (Cummins 855; PII)
1	50-2309B	Pump, Lube (CR/KR)
1	90-3911B	Pump, Lube (KS/CS w/3406 & TigerIV-9190)
1	90-2723B	Pump, Lube (Ser 4, CA & CU)
1	90-3249B	Pump, Lube (Twin Disc, CP/KP 1325,1360,1400)
1	50-3547B	Pump, Piston (93XX)
1	50-2280B	Pump, Piston (CR/KR)
1	50-1452B	Pump, Piston (late 1000 ser & early 91XX)
1	90-1058B	Pump, PTA Lube (3406)
1	50-1123B	Pump, PTA Lube (855)
2	90-5728B	Drive, Pump (CR/KR models)
3	20-2592B	Drive, Pump (Industrial models)
4	212784B	Coupler, Pump Drive (Cummins 855)
5	PDRV02NW	Front Mount Pump Drive (AC 440)
5	PDRV01NW	Front Mount Pump Drive (Cat 3208; Ser I-II BC/WC)
6	6-1491B	Gear, Pump Drive (Cat 3306)
6	212774B	Gear, Pump Drive (Cummins 855)

# Tractor Cooling

Ser 3 Thru 93xx

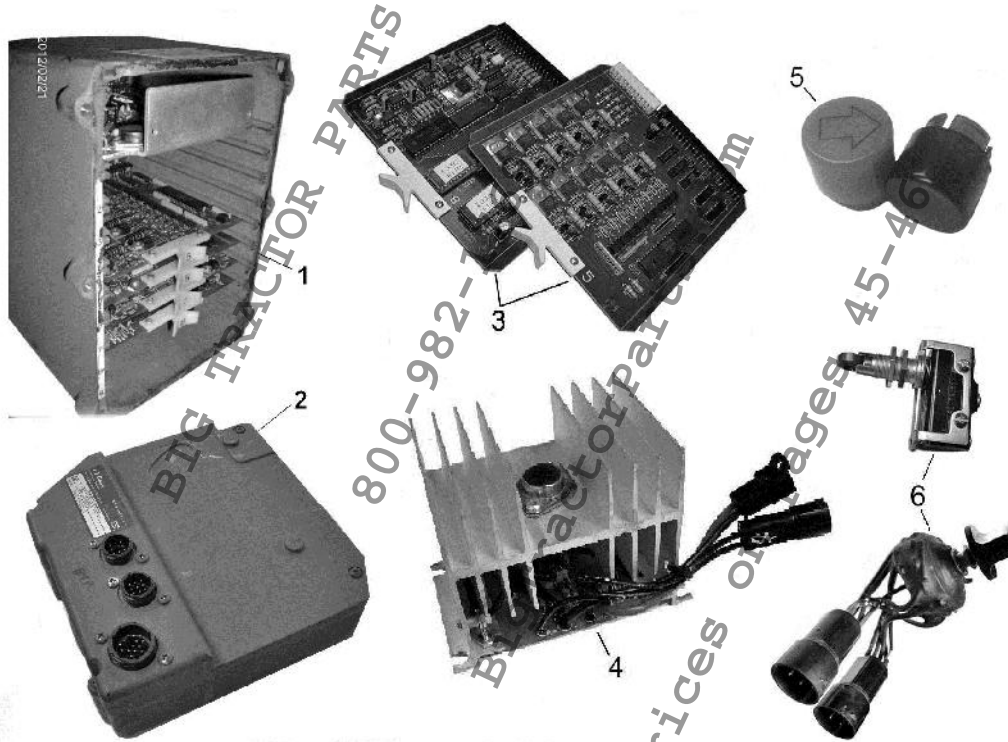
HVAC Condensers/Evaporators, Blowers, Oil Coolers, and Radiators



View	Part	Description
1	90-7043B	Radiator (9170 after 17900650, 9270: 90-7647 & 60-6781)
1	90-7197B	Radiator (9240/50/60, & early 9350)
1	131751B	Radiator (9310/30)
2	60-6711B	Condenser (60-4335T1)
2	60-4815B	Condenser (91/9210-30)
2	60-6710B	Condenser (9210, 9230, 9310, 9330)
2	02-3370B	Condenser, Ser 3/4 (25-196)
3	90-6127B	Cooler, Hyd/Trans Oil (91/92/9310-30)
3	90-6708B	Cooler, Hyd/Trans Oil (9x50/9x70/9x80)
3	02-4155B	Cooler, Hyd/Trans Oil (CP/KP)
4	02-1073B	Evaporator (1000 Ser)
4	60-4042B	Evaporator (91XX & Early 92XX Ser)
4	25-1037B	Evaporator (Early Ser 3)
4	60-6677B	Evaporator (late 92XX , 93XX)
4	01-7842B	Evaporator (Late Ser3 & Ser4)
5	1977564B	Asm, Blower Motor & Fan (355190A1, Late 92XX & 93)
5	60-6676ASM	Asm, Blower Motor & Fan (Late 92XX & 93XX)
5	60-2564UPD	Kit, High Output Blower (Late Ser3 & Ser 4, motor & fan)
5	60-6851UPD	Kit, High Output Blower/Pressurizer (motors & fans)
5	01-4005UPD	Kit, High Output Blowers (both motors & fans)
5	60-5613B	Motor, Blower (1000Ser - 92xx)
5	60-6851B	Motor, Blower (92xx-93xx, original 5/16 shaft)
5	01-4005B	Motor, Blower (Early Ser 3)
5	60-2564B	Motor, Blower (Late Ser3 & Ser4)

# Tractor Electronics

Ser III - 93XX



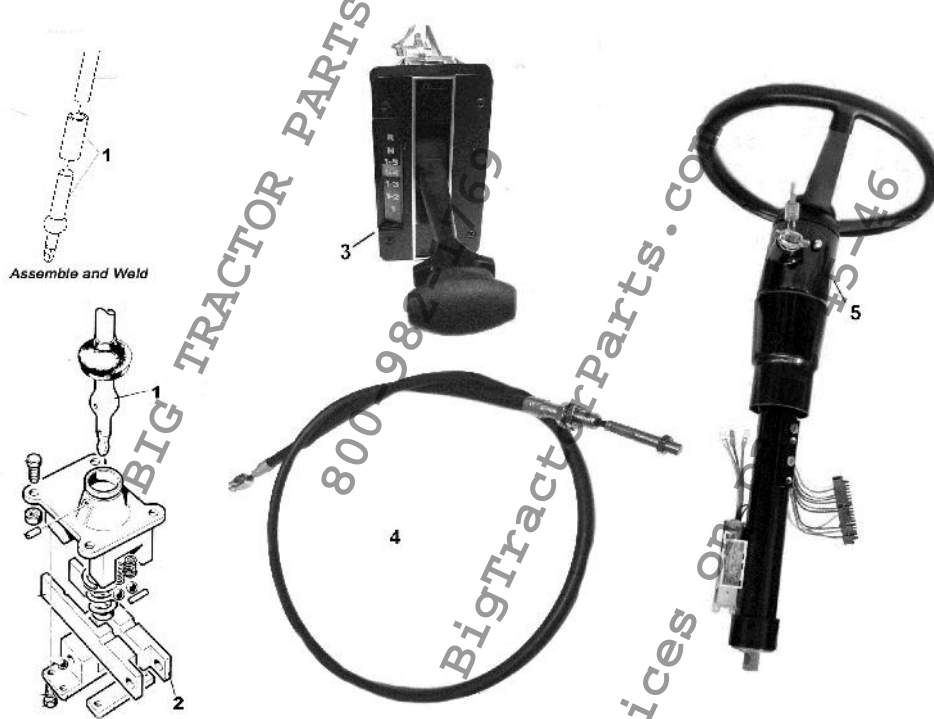
View	Part	Description
1	20-1842BOX	Enclosure, SECC Plastic
3	20-1280B	E-Card, SECC #1 Power Supply
3	20-1236B	E-Card, SECC #5 Transmission Driver
3	20-1255B	E-Card, SECC #6
3	20-1605B	E-Card, SECC #8 (vrs 1.9)
3	20-1997B	E-Card, SECC #8 (vrs 2.0)
3	20-2392B	E-Card, SECC #8 (vrs 6.1)
4	20-1371RM	Module, Reman Blower Control
5	11131B	Lens, Generic Red Indicator Light
5	22-724B	Lens, Green Turnsignal
6	25-1068B	Switch, 3 Pos. Blower (Ser 3 & 4)
6	60-2255B	Switch, A/C Mode (Panther CP/KP)
6	20-2333B	Switch, Clutch Micro
6	20-1288B	Switch, Clutch Micro
6	20-1517B	Switch, Hall-Effect
6	20-2080B	Switch, Micro (lever)
6	20-2050B	Switch, Micro (roller)



# Tractor Controls

## Steering Columns, Control Cables, and Transmission Shift Controls

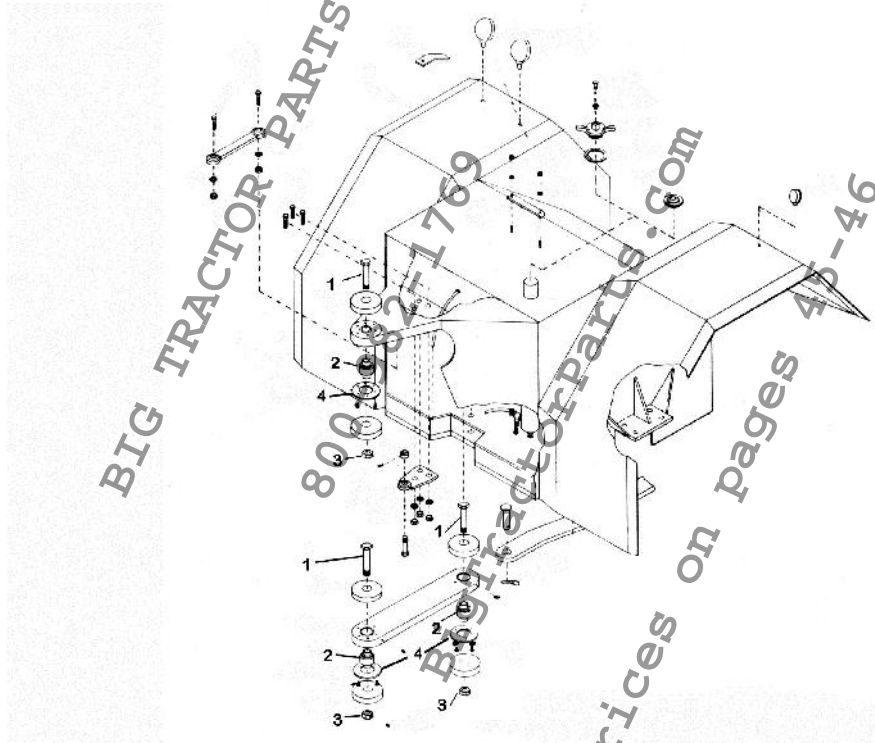
Note: \*BTP has developed a replacement steering column for all Steiger Tractors built prior to 2000. Assembly includes new ign switch, wheel, and column. Call us for details!



View	Part	Description
1	SL001VB	Lever, Shift
2	V69763B	Rail, Shift
3	2-1761KIT	Controller, PTA Transmission Shift (4spd)
3	60-1185B	Controller, PTA Transmission Shift (5spd)
3	90-3583RM	Controller, Reman 6spd Electric Shift
4	1-2867B	Cable, 2 Spd Transmission Shift
4	1-4252B	Cable, 2spd Shift
4	60-2424B	Cable, Clutch
4	60-2055B	Cable, Hydraulic Control
4	60-2054B	Cable, Hydraulic Control
4	01-3985B	Cable, Hydraulic Control
4	60-4261B	Cable, Large Shift
4	60-5615B	Cable, Park Brake
4	60-1388B	Cable, Park Brake
4	60-2457B	Cable, Park Brake
4	60-2221B	Cable, Park Brake
4	60-7003B	Cable, Park Brake
4	47-3739B	Cable, Park Brake
4	1-3901B	Cable, PTA Transmission
4	60-4262B	Cable, Range and Park Lock
4	60-4260B	Cable, Small Shift
4	60-2841B	Cable, Throttle
4	47-3768B	Cable, Throttle
4	1-4481B	Cable, Throttle (855 engines)
4	2-6864B	Cable, Transercase Shift
4	1-3561B	Cable, Transercase Shift
4	1-3685B	Cable, Transercase Shift (Early)
4	2-5310B	Cable, Transercase Shift (Tiger 4-9190)
5	18-1606B	Call for Details of Early Series 3 Columns
5	01-7630KIT	Steering Column & Wheel Assembly (V58171)*

# Series I&II Small Frame Hinge

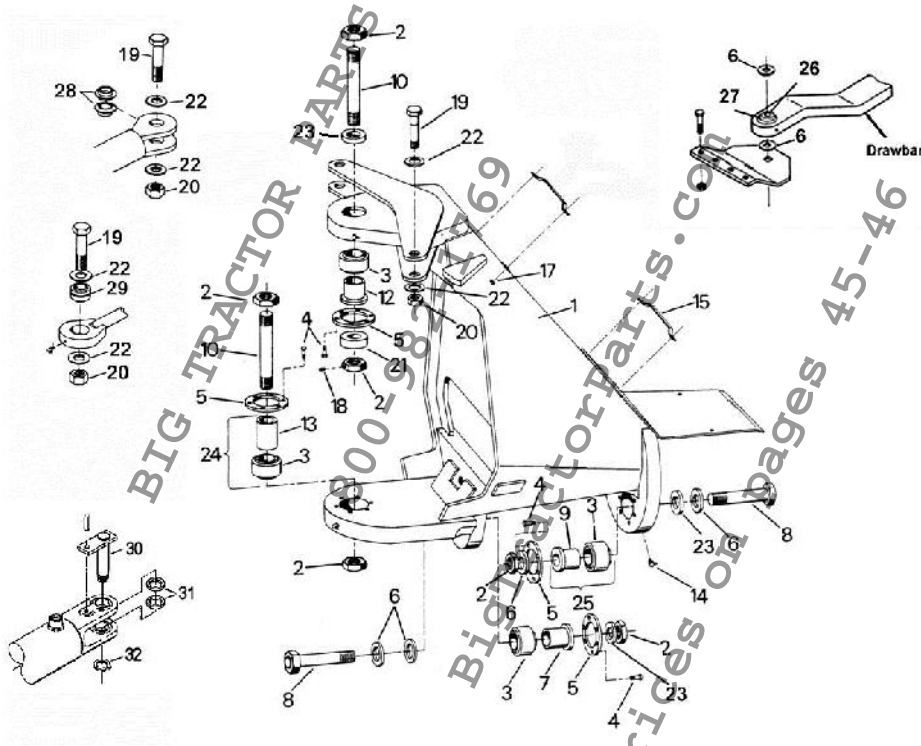
Series I & II: WC, Super WC, BC, Ser III WC, IH 4366, 4568 & 43/45/4786



View	Part	Description
1	05-375B	King Pin (qty. 3)
2	70-5468B	Bearing (qty. 3)
3	02-017B	Nut, King Pin (qty. 3)
4	2-10B	Retainer, Uniball (qty. 3)

# ST Large Frame Hinge

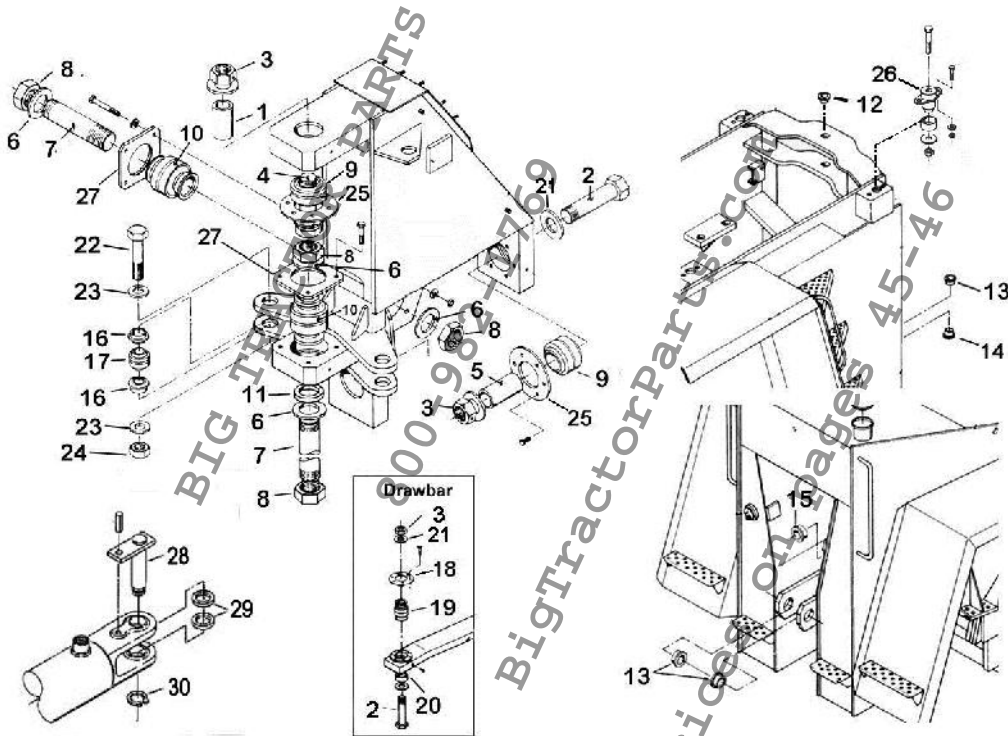
ST Series I through IV CM, KM, & SM



View	Part	Description
	40-302B	Ball, 3pt Lift Arm (Horizontal)
	40-141B	Ball, 3pt Lift Arm (Upper Vertical Arm)
	CYK002B	Hinge Kit (21 pieces, Kit A)
	11103B	Kit, Drawbar (Kit C)
	11094B	Kit, Late Ser4 Steering Cylinder (Kit D)
	11090B	Kit, Steering Cylinder Pins/Brgs/Bshngs (Kit B)
	40-106B	Socket, 3pt Lift Arm (use 2 w/ ea 40-302)
2	02-017B	Nut, King Pin (8/kit)
3	15-040B	Uniball (4/kit A)
5	42-3B	Retainer (4/Kit A)
6	01-4088B	Washer (4/Kit C)
7	70-2446B	Bushing (1/kit A)
8	52-070B	King pin (2/kit A)
9	52-046B	Bushing (1/kit A)
10	52-042B	King pin (2/kit A, Pin only)
12	52-122B	Bushing (1/kit A)
13	52-029B	Bushing (1/kit A)
19	19-915B	Bolt (4/Kit B, 2/Kit D)
20	19-916B	Nut (4/Kit B, 2/Kit D)
21	51-060B	Spacer (1/kit A)
22	19-938B	Washer (8/Kit B, 4/Kit D)
23	52-121B	Spacer (3/Kit B)
26	40-140B	Uniball (1/Kit C)
27	40-139B	Uniball housing and 3pt Lift Arm (2/Kit C)
28	52-130B	Bushing (8/Kit B, 4/Kit D)
29	15-044B	Uniball, Steering (70-5517, 4/Kit B & D)
30	50-1086B	Pin, Steering Cylinder (2/Kit D)
31	02-3223B	Spacer (4/Kit D)
32	19-5619B	Snap Ring (2/Kit D)

# PT/PTA Hinge

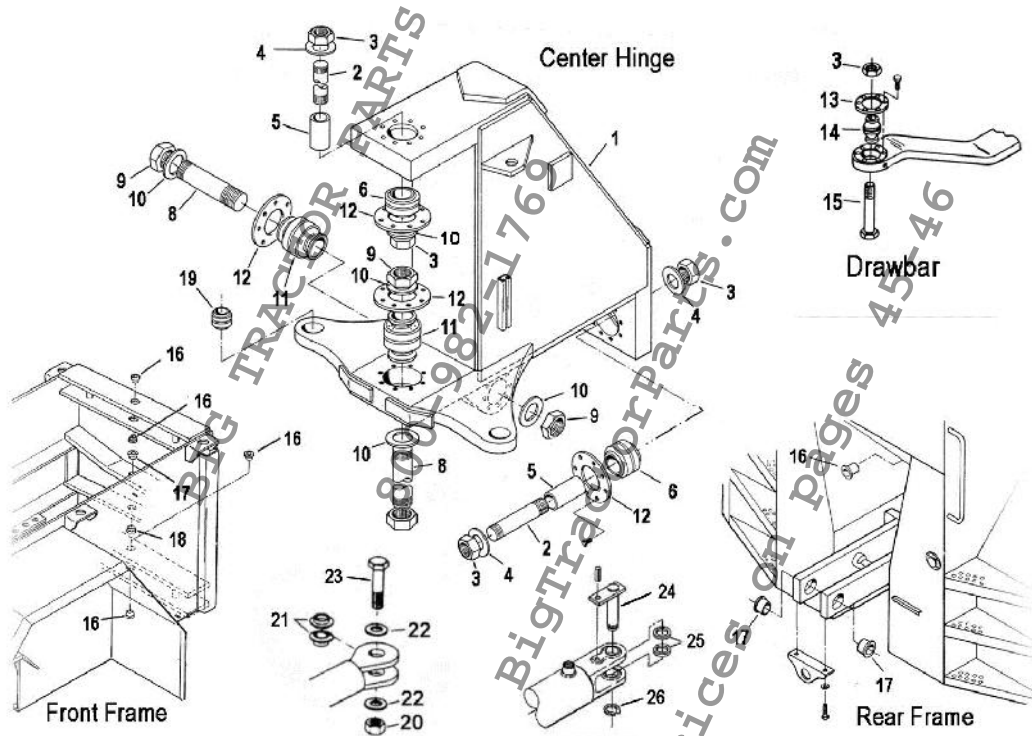
Series III: PT/PTA, Ford FW Models, CS, KS, Series IV CA, and CU Industrial



View	Part	Description
	CYK005B	Hinge Repair Kit (Kit A, 21 pieces)
	40-139B	Housing, 3pt Lift Arm Uniball (use 2 w/ ea 40-141)
	40-106B	Housing, 3pt Lift Arm Uniball (use 2 w/ ea 40-302)
	11111B	Kit, Drawbar Pin/Uniball/Retainer (Kit D)
	11110B	Kit, Frame Bushing/Retainer (Kit E)
	11094B	Kit, Late Ser4 Steering Cylinder (Kit C)
	11090B	Kit, Steering Cylinder Pins/Brgs/Bshngs (Kit B)
	40-302B	Uniball, 3pt Lift Arm (Horizontal)
	40-141B	Uniball, 3pt Lift Arm (Upper Vertical Arm)
1	01-4163B	Spacer (1/Kit A)
2	01-4087B	King pin (1/Kit A, 1/Kit D)
3	02-017B	Nut, King Pin (2/Kit A; 1/Kit D)
4	52-070B	King Pin (1/Kit A)
5	01-3435B	Spacer (1/Kit A)
6	01-3966B	Washer (4/Kit A)
7	01-3967B	King pin (2/Kit A)
8	01-3968B	Nut, King Pin (4/Kit A)
9	15-040B	Uniball (2/Kit A)
10	01-3965B	Uniball (2/Kit)
11	01-7208B	Spacer (1/Kit A)
12	01-4086B	Bushing (4/Kit E)
13	01-3884B	Bushing (3/Kit E)
14	70-1029B	Bushing (1/Kit E)
15	01-3206B	Bushing (2/Kit E)
16	52-130B	Bushing (8/Kit B)
17	15-044B	Uniball (4/Kit B, 70-5517)
18	2-10B	Ring, Retainer (1/Kit D)
19	70-5468B	Uniball (1/Kit D, 15-45)
20	01-4089B	Spacer (1/Kit D)
21	01-4088B	Washer (4/Kit E, 2/Kit D)
22	19-915B	Bolt (4/Kit B)
23	19-938B	Washer (8/Kit B)
24	19-916B	Nut (4/Kit B)
25	42-3B	Ring, Retainer (2/Kit E)
26	01-3140B	Isolator, Rubber Cab
27	01-3868B	Cap, Bearing Retainer (2/Kit E)
28	50-1086B	Pin, Steering Cylinder (4/Kit C)
29	02-3223B	Bushing (8/Kit C)
30	19-5619B	Snap Ring (4/Kit C)

# Tiger Hinge

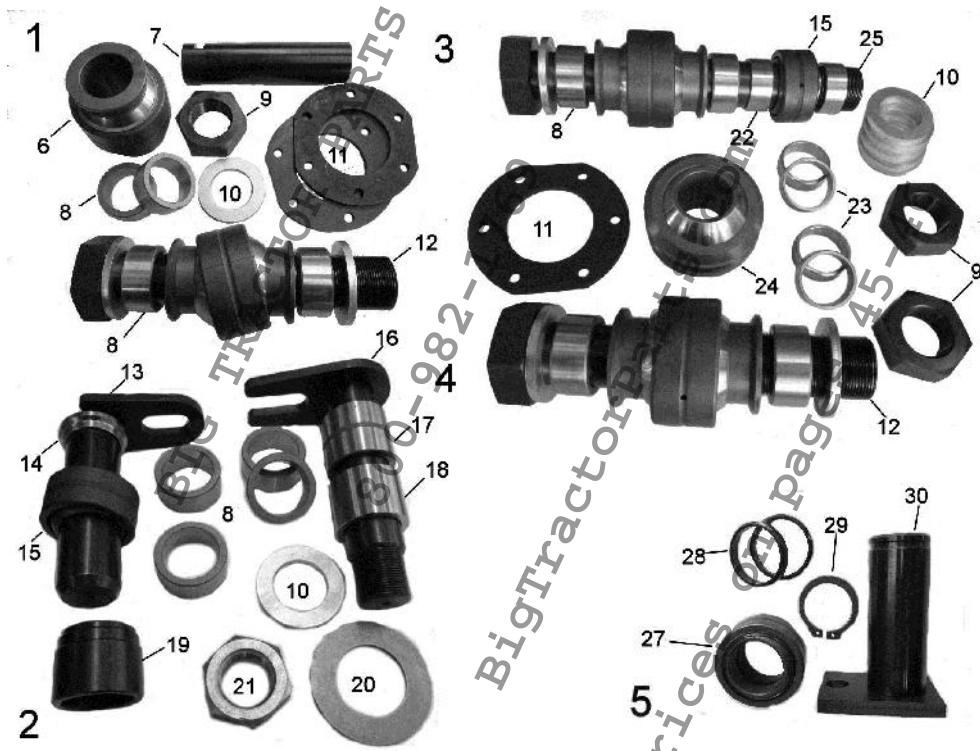
Series III & IV ST450/ST470, KP525, and 9190



View	Part	Description
	CYK006B	Kit, Center Hinge (22 pieces, Kit A)
	11111B	Kit, Drawbar Repair (Kit D)
	11090B	Kit, Steering Cylinder (Kit B)
	11094B	Kit, Steering Cylinder (Kit C, Ser 4 & 9190)
1	47-3026RM	Repair Bearing Bores
2	52-42B	King Pin (2/kit A, Pin only)
3	02-017B	Nut, King Pin (4/kit A, 1/kit D)
4	01-4088B	Washer, 4/Center Hinge
5	47-3016B	Spacer (2/kit A)
6	47-3486B	Uniball (2/kit A)
8	01-3967B	King Pin (2/kit A)
9	01-3968B	Nut (4/kit A)
10	01-3966B	Washer (4/kit A)
11	01-3965B	Uniball (2/kit A)
12	47-3017B	Retaining Ring 4/Center Hinge
13	02-10B	Plate, Retaining (1/Kit D)
14	70-5468B	Uniball 1/Drawbar (1/ Kit D, 15-45)
15	52-070B	King Pin (1/Kit D)
16	47-3015B	Bushing 4/Frt Frame, 2/Rr Frame
17	01-3884B	Bushing 1/Fr Frame, 2/Rr Frame
18	70-1029B	Bushing 1/Fr Frame
19	15-044B	Uniball (4/ Kit B & C, 70-5517)
20	19-916B	Nut, Steering Cylinder (4/kit B, 2/Kit C)
21	52-130B	Bushing (8/kit B, 4/Kit C)
22	19-938B	Washer (8/Kit B, 4/Kit C)
23	19-915B	Bolt, Steering Cylinder (4/Kit B, 2/Kit C)
24	50-1086B	Pin, Steering Cylinder (2/Kit C)
25	02-3223B	Spacer (4/Kit C)
26	19-5619B	Snap Ring (2/Kit C)

# Small Frame Hinge

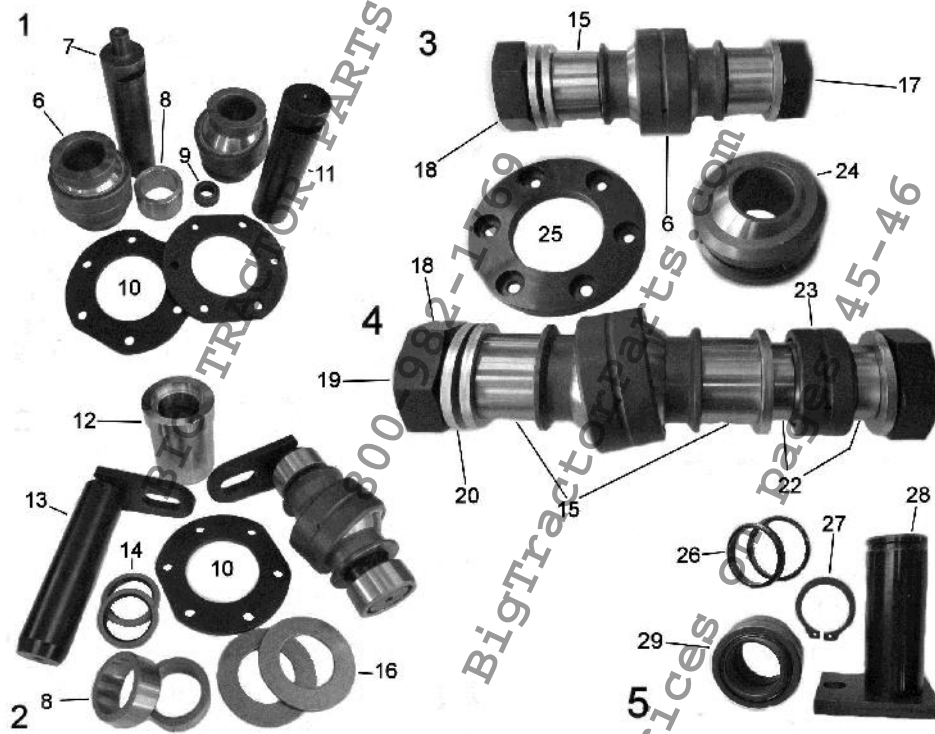
Puma/Wildcat 1000 and 9x10/9x30



View	Part	Description
1	11088B	Kit, Center Link (1000 Ser Puma/Widct, 9110/9130)
2	11089B	Kit, Center Link (9210/30, 9310/30)
3	11100B	Kit, 9x10/9x30 Bottom Pivot and Drawbar Link (Pins, Spacer, Bushings)
4	11105B	Kit, Bottom Pivot (tractors w/ 3pt)
5	11091B	Kit, Steering Cylinder Pins/Bshngs (1000 Ser thru 93XX)
6	70-5468B	Uniball (15-45)
7	70-4077B	Pin, Top Link
8	70-4621B	Bushing (1"L)
9	02-017B	Nut
10	01-4088B	Washer
11	02-10B	Plate, Retaining
12	70-4662B	Pin (10-1/4")
13	70-6232B	Pin, Top Link
14	70-6084B	Spacer, Top Link
15	D3NN4N132B	Uniball (613524)
16	70-6193B	Pin, Top Link
17	70-6105B	Bushing (2"L)
18	70-5915B	Bushing
19	70-5916B	Spacer
20	19-5636B	Washer
21	19-915HDB	Nut, Jam
22	70-5913B	Spacer, Hitch
23	70-3138B	Spacer, Drawbar
24	40-139/140	Kit, Drawbar Ball-Housing
25	70-3137B	Pin, Bottom/Drawbar Link
25	70-4189B	Pin, Bottom/Drawbar Link
27	15-044B	Uniball (70-5517T1)
28	02-3223B	Ring, Spacer
29	19-5619B	Ring, Snap
30	50-1086B	Pin, Steering

# Mid Size Frame Hinge

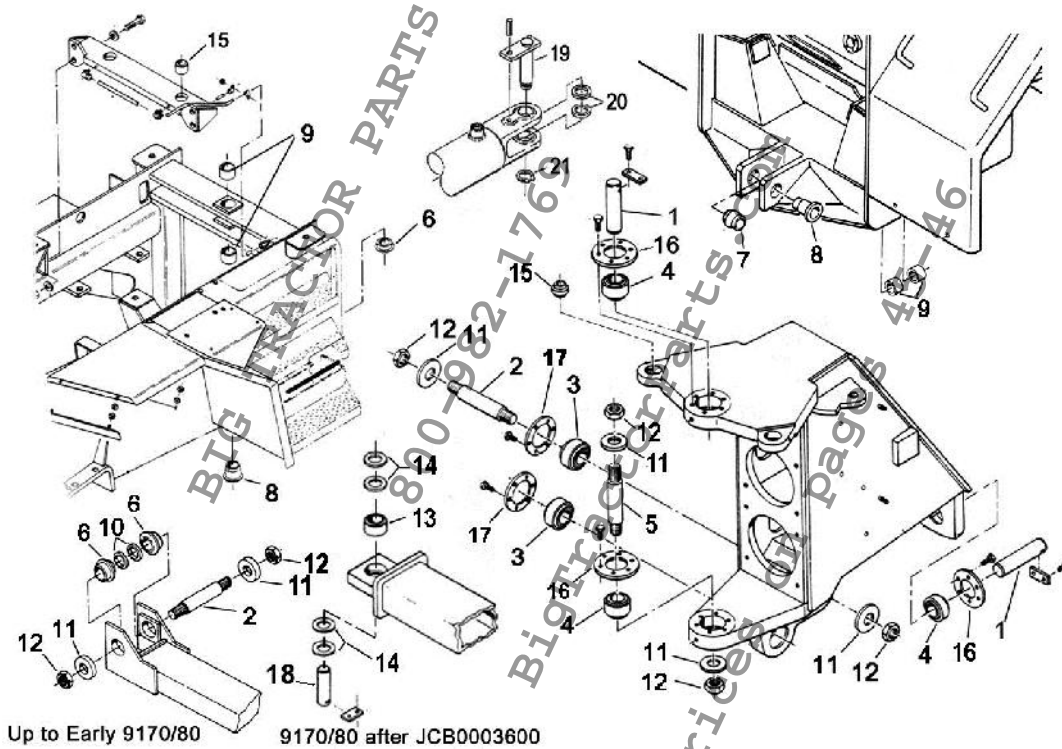
Steiger Bearcat/Cougar 1000 through CaseIH 9350



View	Part	Description
1	11086B	Kit, Centerlink (Cougar 1000, 9150, Early 9250)
2	11087B	Kit, Centerlink (Late 9250, RowCrop 9250, 9350)
3	11104B	Kit, 9250/9350 Bottom Link (w/ 3pt)
4	11099B	Kit, 9x50 Bottom Pivot & Drawbar Link (w/o 3pt)
5	11091B	Kit, Steering Cylinder Pins/Bushings
6	70-5468B	Uniball (15-45)
7	70-4074B	Pin, Top Link
8	70-4621B	Bushing, Top Link Rr Frame
9	70-4111B	Uniball
10	02-10B	Retainer
11	70-4077B	Pin
12	70-6217B	Bushing
13	70-6232B	Pin, Top Link
14	D95143B	Wiper
15	70-4620B	Bushing, Frame (1.5"L)
16	19-5709	Washer
17	70-4662B	Pin, Bottom Link
18	02-017B	Nut
19	70-4189B	Pin, King
20	01-4088	Washer
22	70-5913B	Spacer, Hitch
23	D3NN4N132B	Uniball, Drawbar
24	40-139/140	Kit, Drawbar Uniball
25	70-4596B	Plate, Retainer
26	02-3223B	Ring, Spacer
27	19-5619B	Ring, Snap
28	50-1086B	Pin, Steering Cylinder
29	15-044B	Uniball

# Early Large Frame Hinge

1000 Ser Steiger CP/KP 1325/1360/1400/Panther, Lion, 9170/80, and Early 9270/80



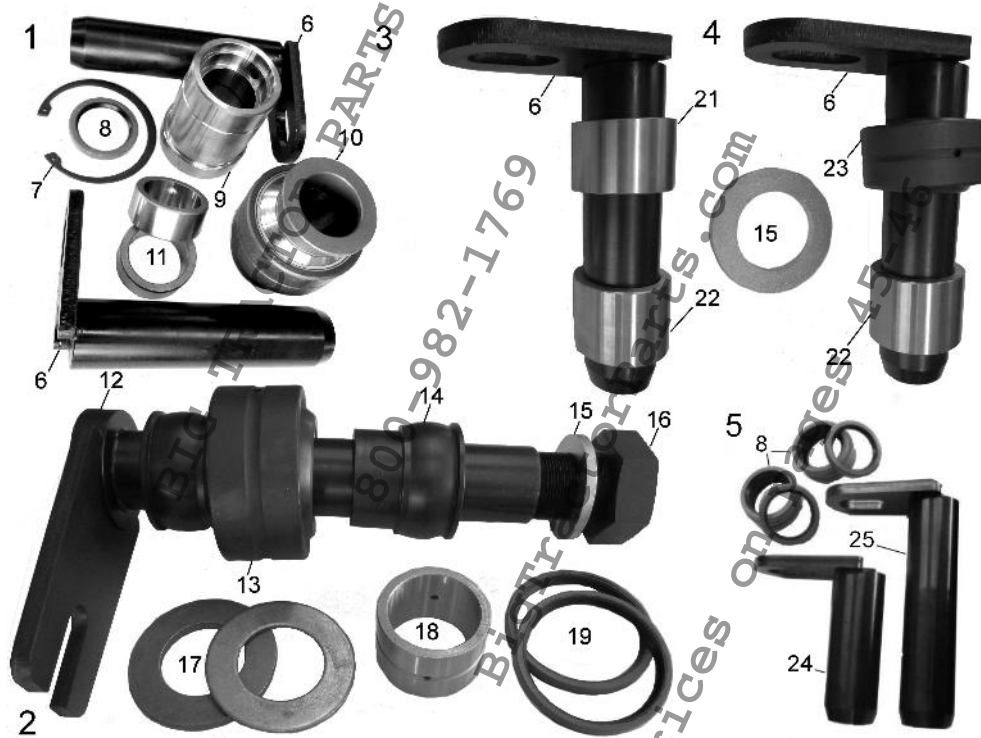
View	Part	Description
------	------	-------------

	CYK008B	Frame Kit, Bushings and Retainer Plates (Kit B, 13 pieces)
	CYK007B	Hinge Kit, Center Yoke Pins and Uniball (Kit A, 16 pieces)
	11102B	Kit, Drawbar Pin/Bshngs (Kit C, bsn 3600)
	11096B	Kit, Drawbar Pins/Bshngs (Kit D, asn 3600)
	11091B	Kit, Steering Cylinder Pins/Bsngs (Kit E)
	CenterYoke	Repair Bearing Bores (70-5482, 70-4930, 70-5377, 70-4811)
1	70-1909B	King Pin (2/Kit A, 1/Kit D)
2	70-1206B	King Pin (1/Kit A, 1/Kit C)
3	70-1212B	Uniball (1/Kit A, 1/Kit C)
4	D51018B	Uniball (3/Kit A, 15-7, 619773C91)
5	70-1207B	King Pin (1/Kit A)
6	70-2733B	Bushing (70-1209T1, 1/Kit B, 2/Kit C)
7	70-1208B	Bushing (1/Kit B)
8	70-1210B	Bushing (2/Kit B)
9	70-1242B	Bushing (4/Kit B)
10	70-2542B	Spacer (2/Kit C)
11	19-5636B	Washer (4/Kit A)
12	19-5641B	Nut, Lock (4/Kit A)
13	D3NN4N132B	Uniball (613524C91, 1/Kit D)
14	01-4088B	Washer (4/Kit D)
15	15-044B	Uniball ( 4/Kit E, 70-5517)
16	70-1428B	Plate, Retainer (uniball, 3/Kit B)
17	70-1429B	Plate, Retainer (1/Kit B, 1/Kit C)
18	70-5509B	Pin (1/Kit D)
19	50-1086B	Pin, Steering (4/Kit E)
20	02-3223B	Ring, Steering Cylinder Spacer (8/Kit E)
21	19-5619B	Snap Ring (4/Kit E)



# Large Size Frame Hinge

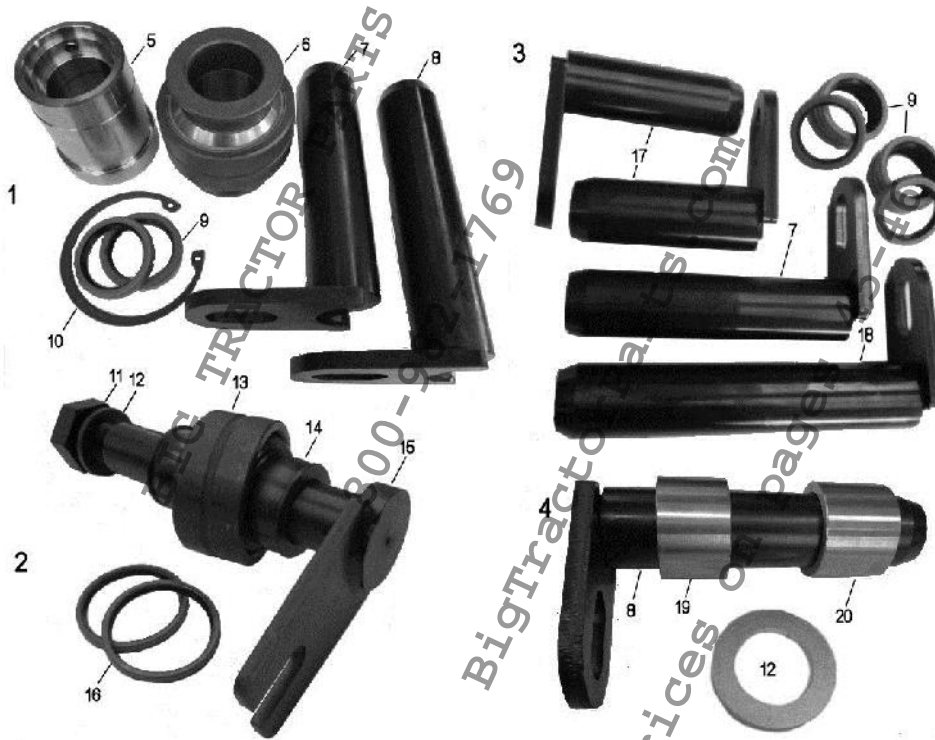
Late 9270/80 through 9370/80/90



View	Part	Description
	11096B	Kit, Drawbar Pins/Bshngs (early 9270/80, pg 39)
1	11092B	Kit, Centerlink (9270/80 asn 27096)
1	11093B	Kit, Centerlink (9370/80/90)
2	11101B	Kit, Bottom Link (9270/80, 9370/80/90)
3	11097B	Kit, Drawbar Pins/Bshngs (9270/80 asn 27096 & bsn 33803)
4	11098B	Kit, Drawbar Pins/Bshngs (9270/80 asn 33803, all 9370/80/90)
5	11109B	Kit, 9370/80/90 Steering Cylinder Pin (1/tractor)
5	11133B	Kit, Late 9270/80 Steering Cylinder Pin (1/tractor)
6	70-6076B	Pin, Top Link
7	101-21354B	Snap Ring
8	D95143B	Wiper
9	70-6217B	Bushing
10	70-5468B	Uniball (15-45)
11	70-4621B	Bushing, Frame (1" long)
12	70-6180B	Pin, Bottom Link
13	R37021B	Uniball
14	70-5836B	Sleeve
15	01-4088B	Washer
16	02-017B	Nut (70-6221)
17	19-5709B	Washer
18	70-5966B	Sleeve
19	D95148	Seal
21	70-4620B	Bushing, Btm Link Rr Frame
22	70-5915B	Spacer
23	D3NN4N132AB	Uniball (15-19, 613524)
24	70-6013B	Pin, Steering Cylinder (4-3/4", 2/cylinder)
25	70-6085B	Pin, Steering Cylinder (~9-1/2", 2/cylinder)
25	70-6076B	Pin, Steering Cylinder (1/cylinder on 93xx)

# STX Frame Hinge

All Steiger STX Models

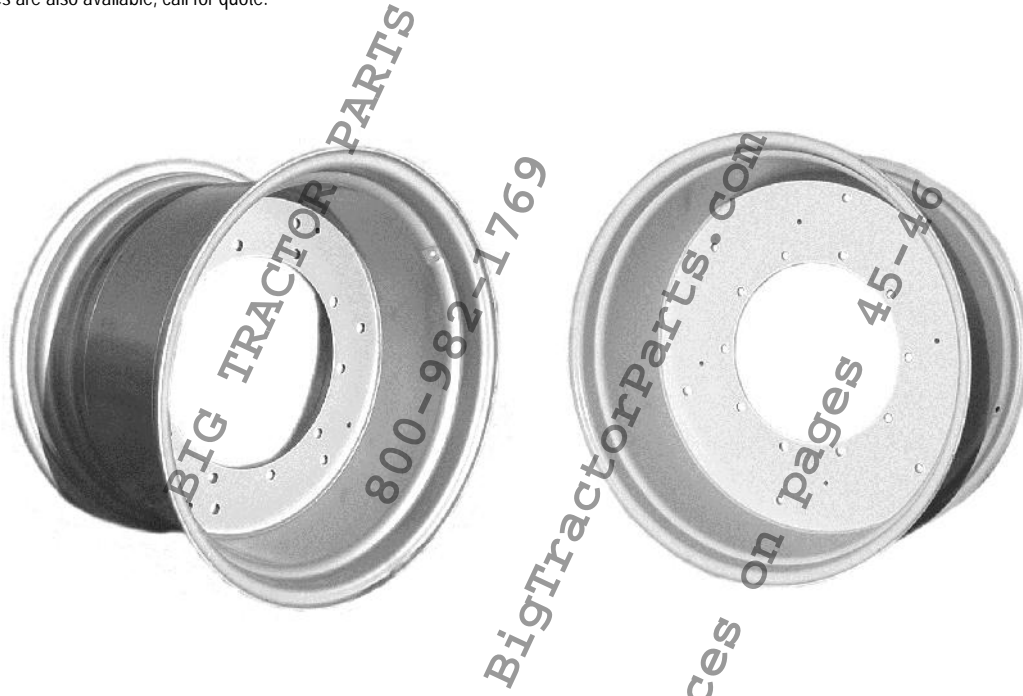


View	Part	Description
	446720B	Uniball, Lower (87311338)
1	11085B	Kit, Center Link Pin/Bearing
1	11084B	Kit, Center Link Pin/Bearing (STX 325/375/440)
2	11112B	Kit, Center Hinge Bottom Pin
3	11109B	Kit, STX Steering Cylinder (1/tractor)
4	11130B	Kit, Drawbar Pin & Spacer (70-4620B Option)
5	70-6217B	Bushing
6	70-5468B	Uniball
7	70-6076B	Pin, Center Link & Steering
8	195941B	Pin, Center Link & Drawbar
9	D95143B	Seal, Grease
10	101-21354B	Snap Ring (Ext.)
11	02-017B	Nut (70-6221T1)
12	01-4088B	Washer
13	330042B	Uniball (Bottom Pin)
14	330033B	Sleeve
15	70-6180B	Pin, Bottom (394364A1, 87590638)
16	D95148	Seal
17	70-6013B	Pin, Steering Cylinder (-4-3/4")
18	70-6085B	Pin, Steering Cylinder (-9-1/2")

# Rims

All Steiger Models and 91XX-93XX

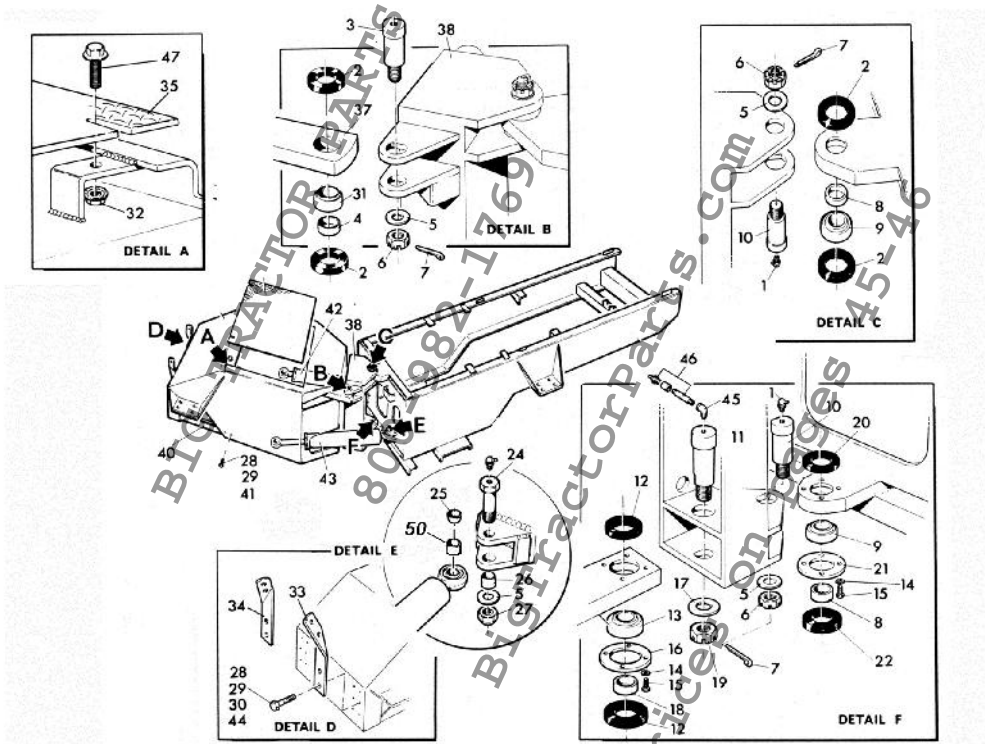
Note: All rims have a 3/4" center plate, which is heavier then original rim. Specify color for accurate quote and availability. Custom size spacers, duals, Tiger style rims, and triples are also available, call for quote.



View	Part	Description
	30-1523B	Rim, Driver 18.4x38 (16")
	30-1123B	Rim, Driver 20.8x34 (18")
	30-1526B	Rim, Driver 20.8x38 (18")
	30-1535B	Rim, Driver 20.8x42 (18")
	30-1516B	Rim, Driver 23.1x34 (20")
	30-1501B	Rim, Driver 24.5x32 (21")
	30-1013B	Rim, Driver 30.5x32 (27" 20-294)
	30-1538B	Rim, HD Tiger Dual 20.8x42 (extra reinforced rim)
	30-1539DST	Set, Tiger 4x Driver & 4x Dual Rims 20.8x42 (bolts included)
	30-1539TRST	Set, Tiger 4x Driver & 8x Triple Rims 20.8x42 (bolts included)

# Versatile Hinge/Steering Parts

700, 750, 800, 850, 835, 855, 875, 900, 950



View	Part	Description
	V60955B	Bushing, Drawbar (V15195)
2	V15193B	Seal (x10)
3	V14512B	Pin (x4)
4	V14522B	Spacer (x4)
6	V100T217B	Nut, Slotted (x6)
8	V14346B	Spacer (x2)
9	86000739B	Bearing, Pivot Pin (x2)
10	V14344B	Pin, Pivot (x2)
11	V14347B	Pin, Oscillation (x1)
12	V15194B	Seal (x2)
13	V14351B	Bearing, Oscillation (x1)
18	86015998B	Spacer (x1)
19	V84698B	Nut, Slotted (x1)
20	V201T113B	Seal (x1)
22	V100T172B	Seal (x1)
24	V23692B	Pin, Steering Cylinder (x4)
25	V23595B	Spacer, Upper (x4)
26	V23632B	Spacer, Lower (x4)
27	V301184B	Nut (x4)
31	D3NN4N132AB	Bearing, Drag Link (x4)
50	V18125B	Bearing, Steering Cylinder (x4)





